



# PARTS PRINTS

Construction and Industrial Air Tools



**CONNECTICUT**

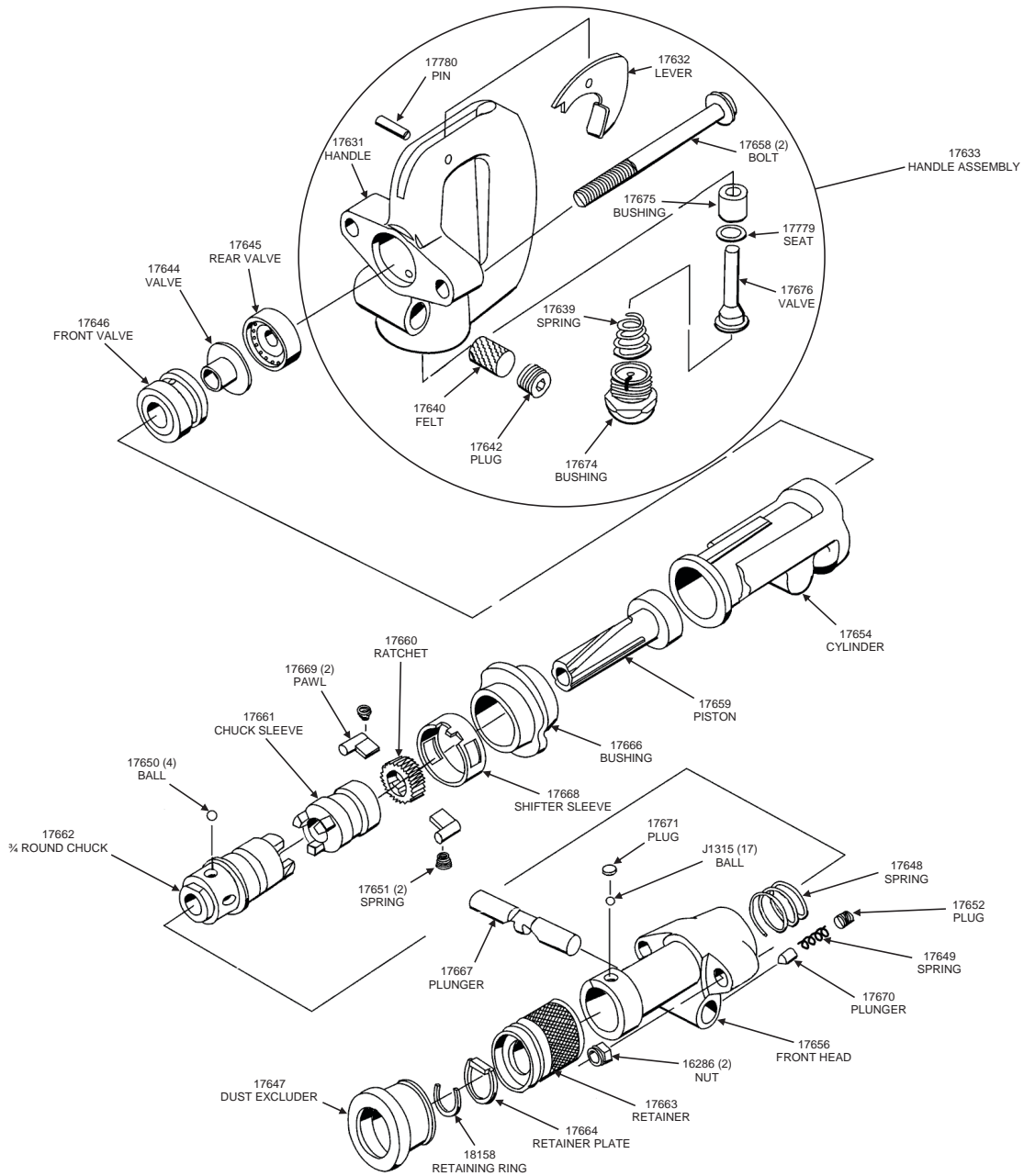
410 Burnham St  
South Windsor, CT 06074  
 860-289-2020

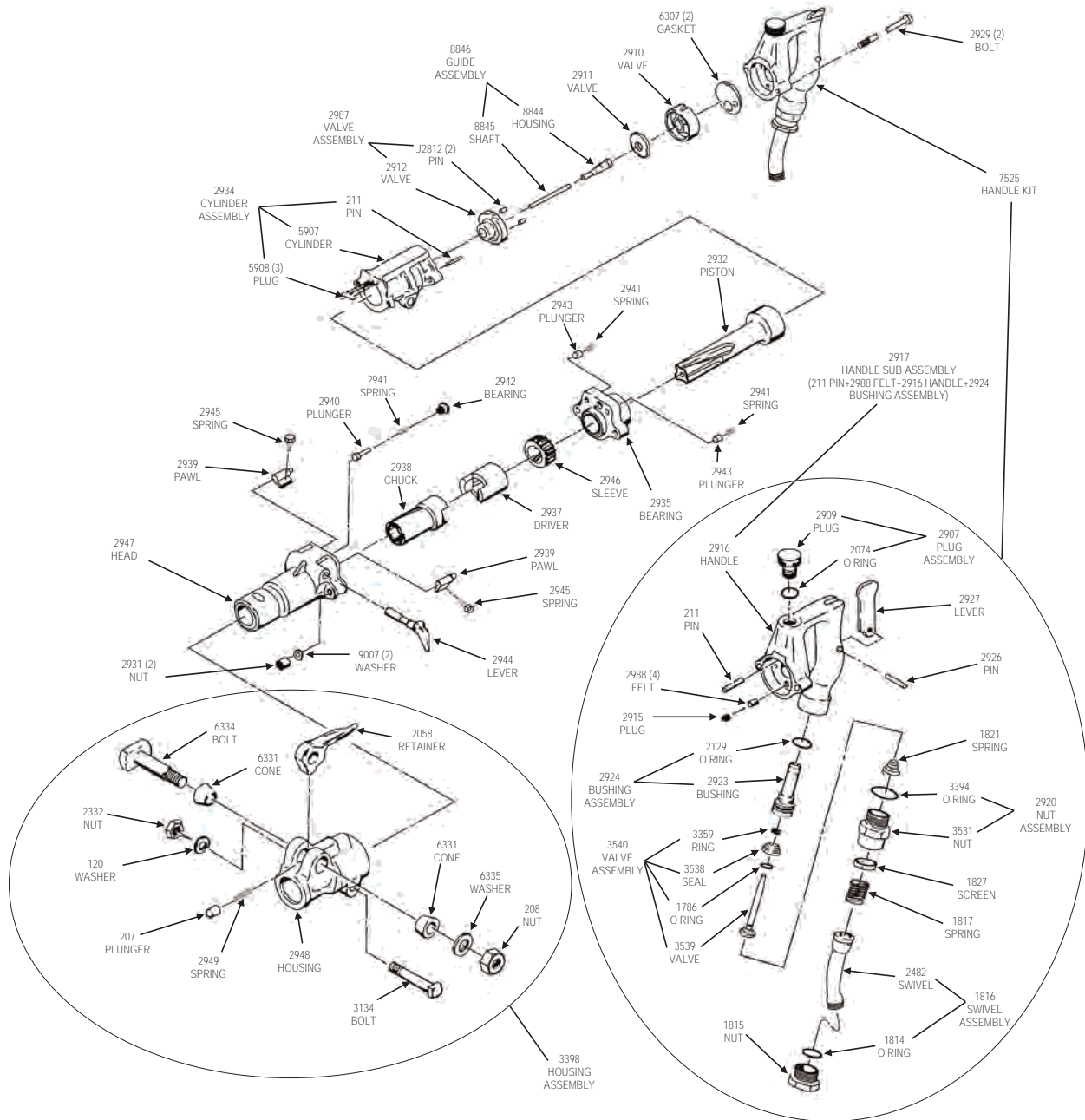
**MASSACHUSETTS**

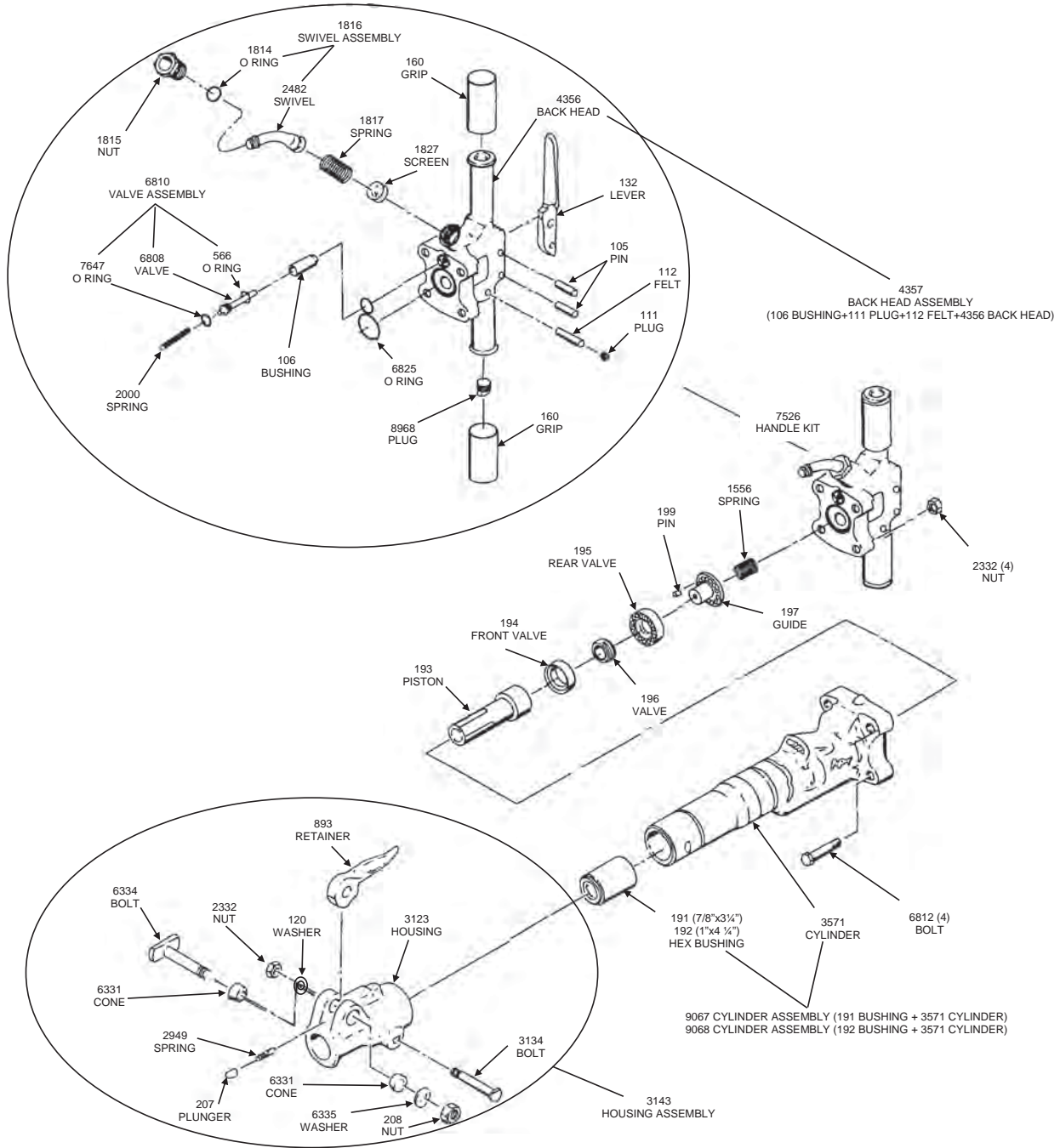
120 Interstate Dr  
W. Springfield, MA 01089  
 413-363-0780

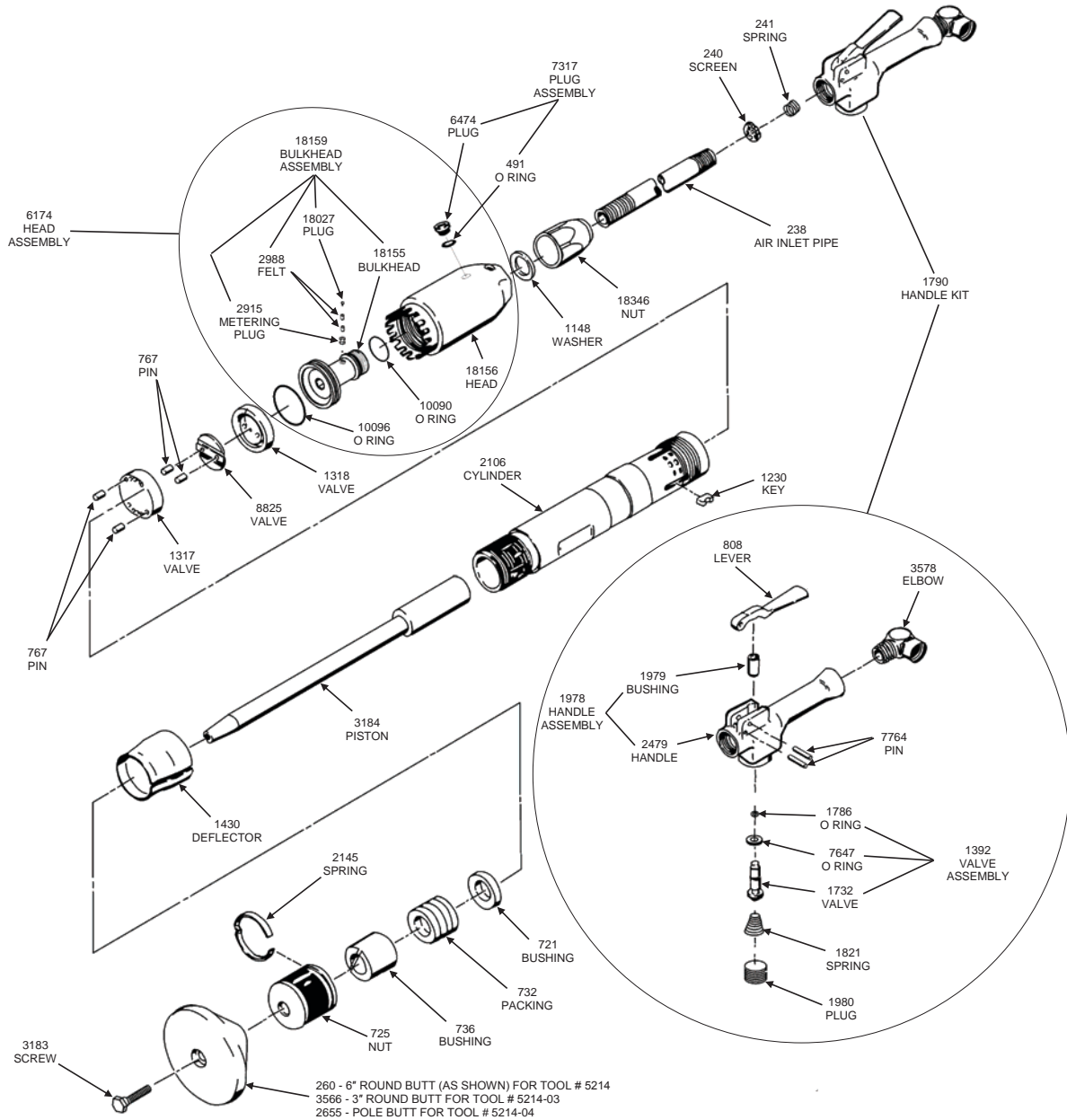
## Table of Contents

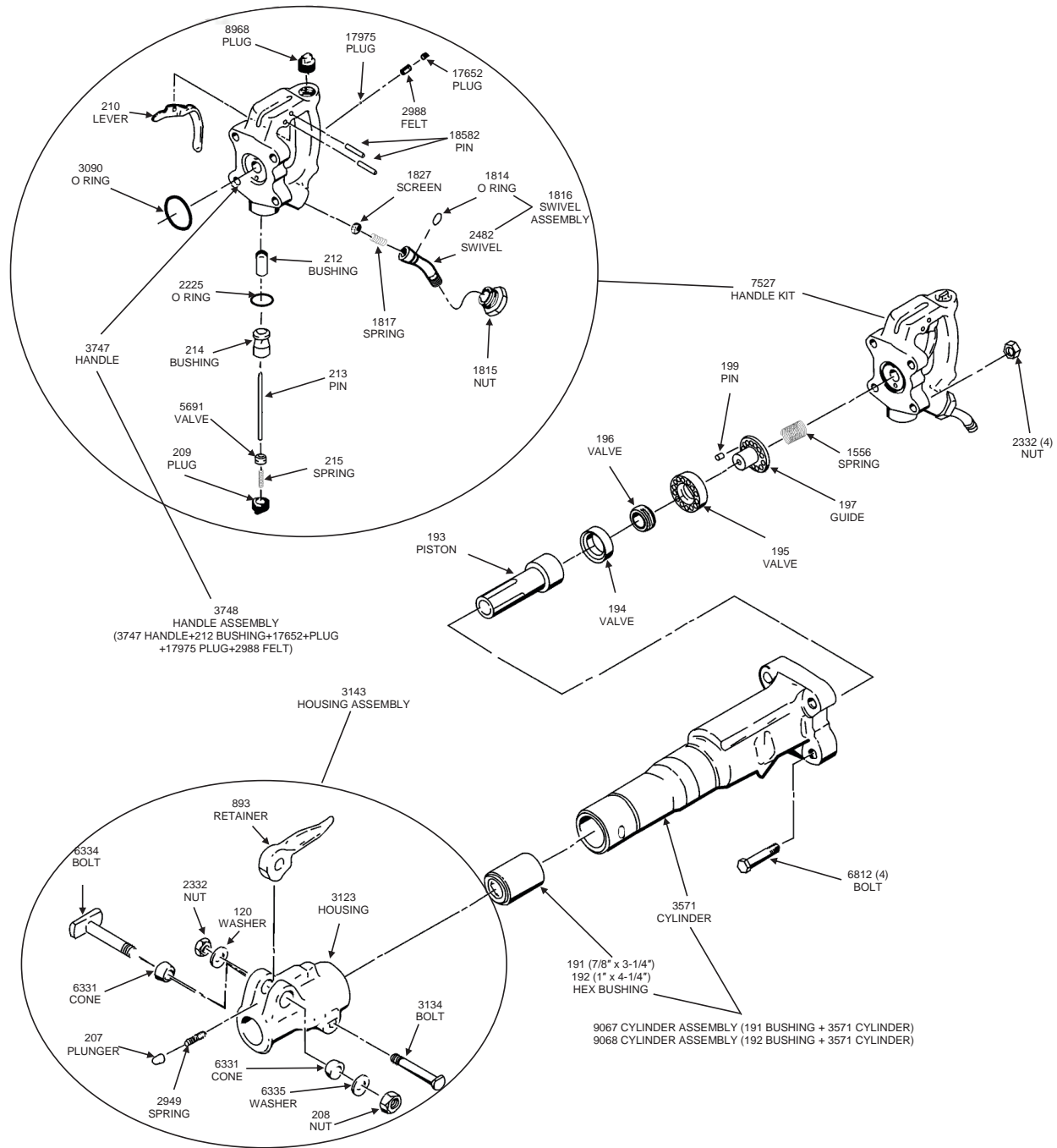
<u>Manufacturer</u>	<u>Tool Model</u>	<u>Page</u>
<b>American Pneumatic Tool (APT)</b>		
	109 .....	2
	115 .....	3
	117 .....	4
	118 .....	5
	125 .....	6
	131 .....	7
	133CN .....	8
	1133CN .....	9
	140 .....	10
	160 .....	11
	190 .....	12
	263 .....	13
	650 .....	14
<b>Chicago Pneumatic (CP)</b>		
	CP-9 .....	15-16
	CP-14RR .....	17-18
	CP-32A .....	19-21
	CP-69 .....	22-24
	CP-1210 .....	25-26
	CP-1260 .....	27-28
	CP-1290 .....	29-30
	CP-4123 .....	31-32
	CP-4125 .....	33-34
	CP-4608 .....	35-36
	CP-4611 .....	37-38
<b>Gardner Denver</b>		
	GD-S55 .....	39-41
<b>Cleco</b>		
	B1 .....	42

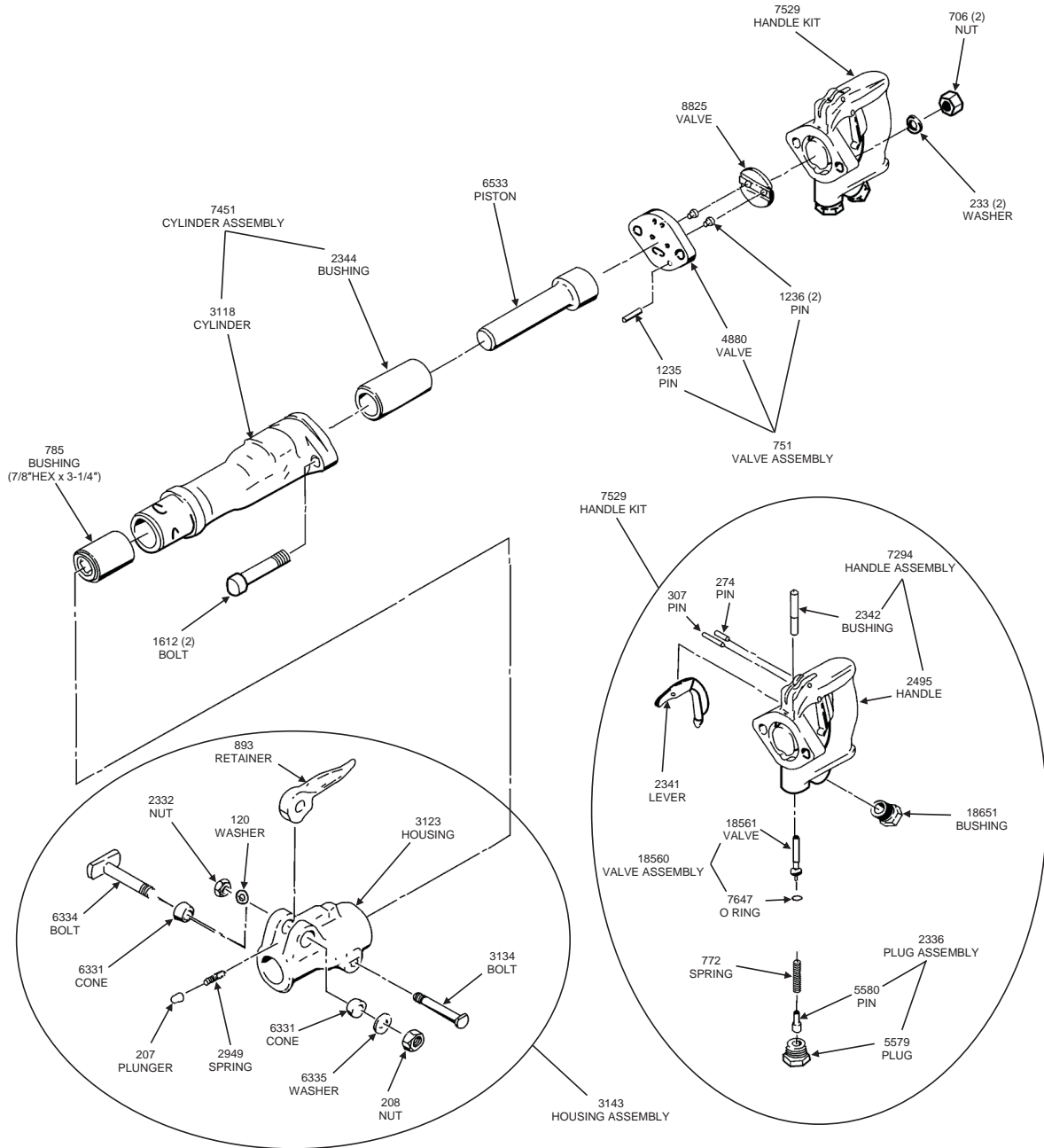




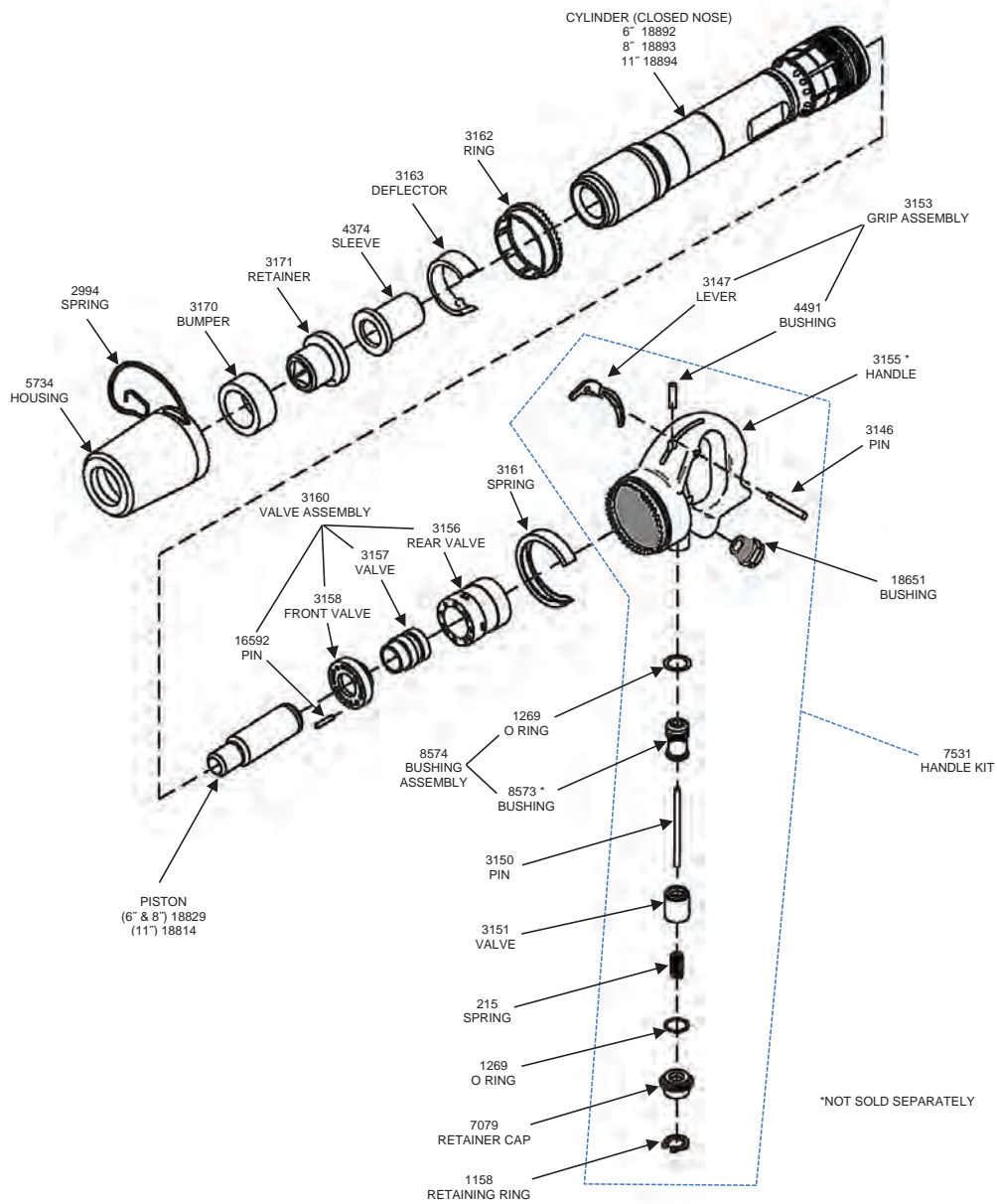


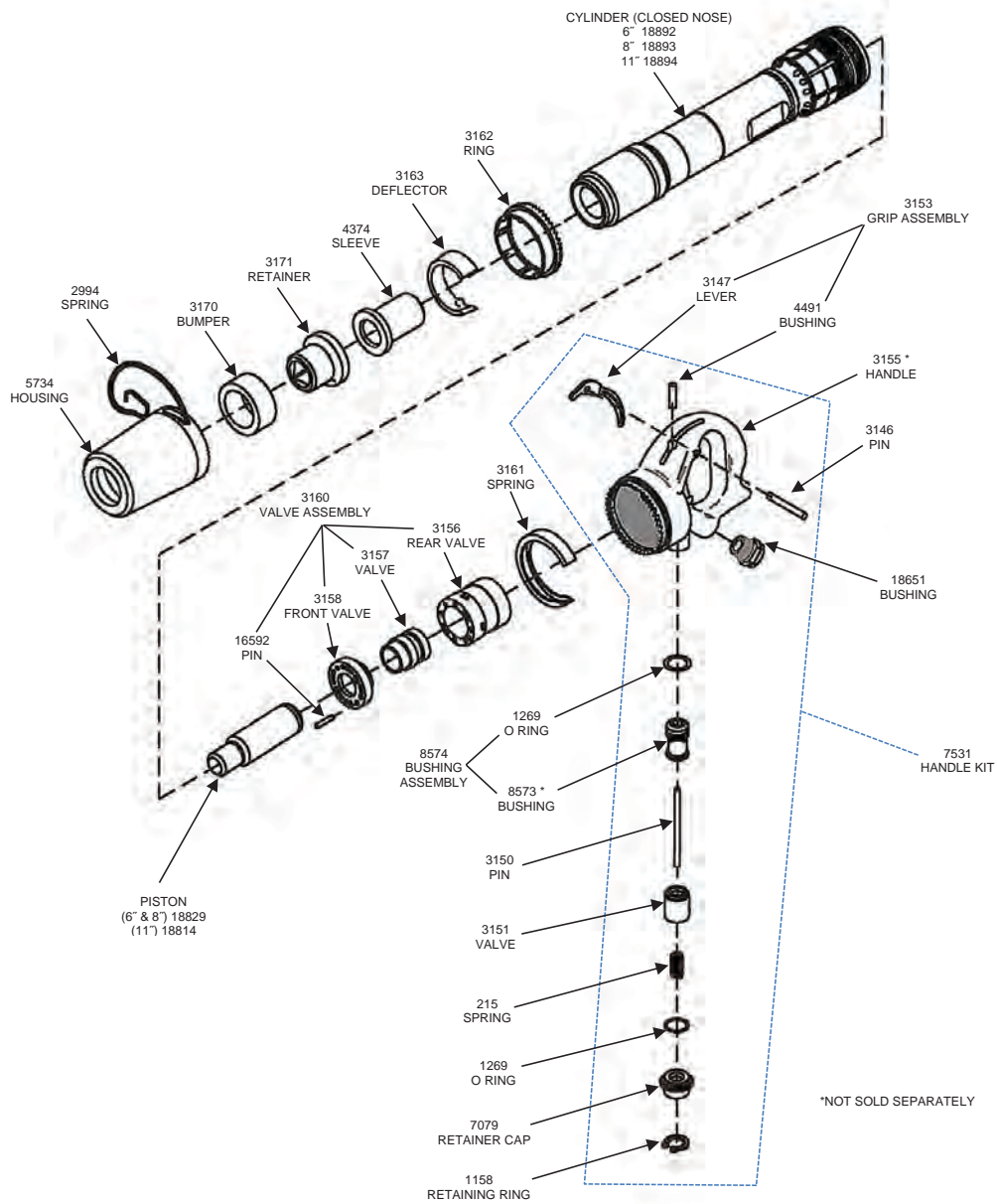


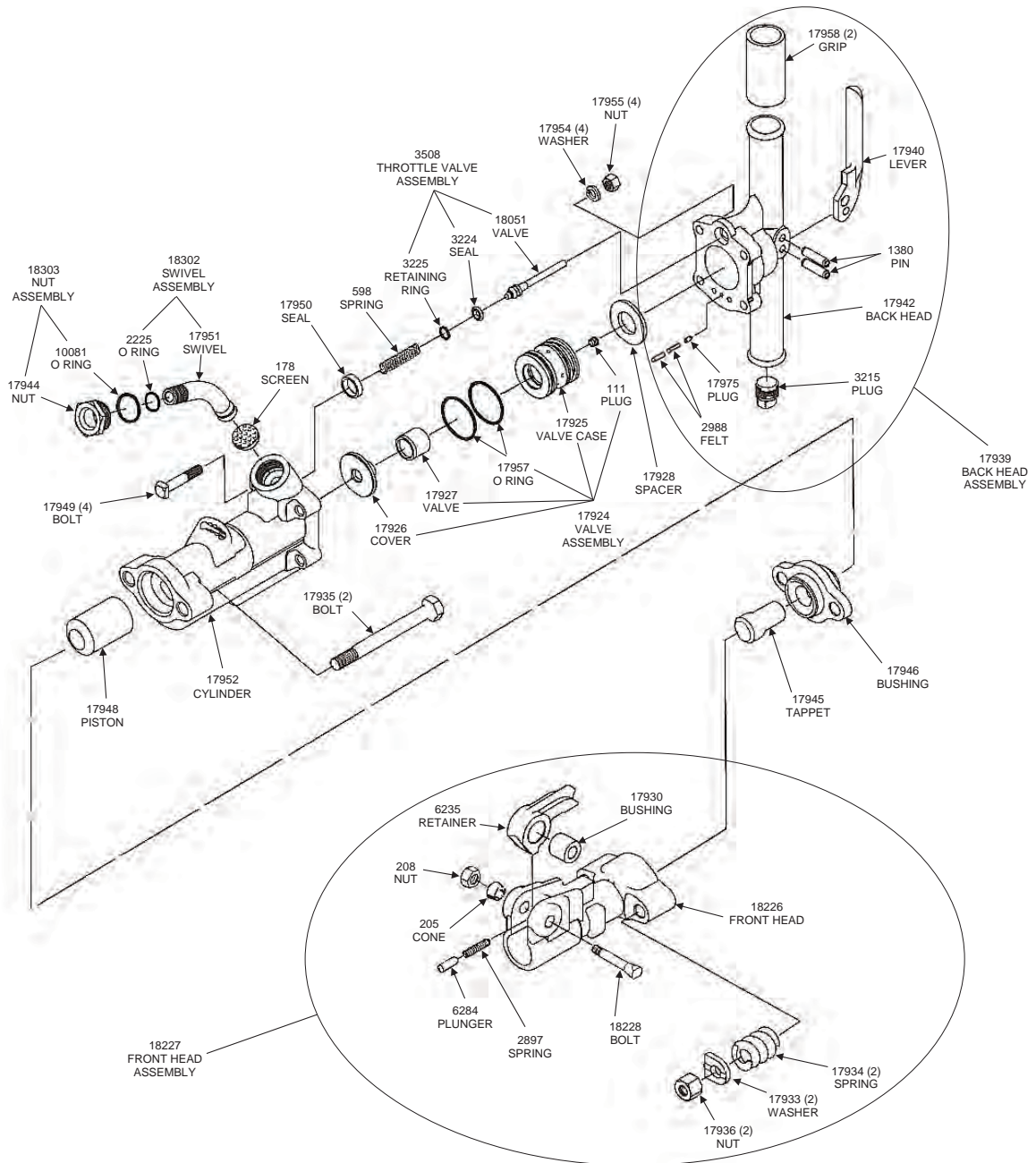


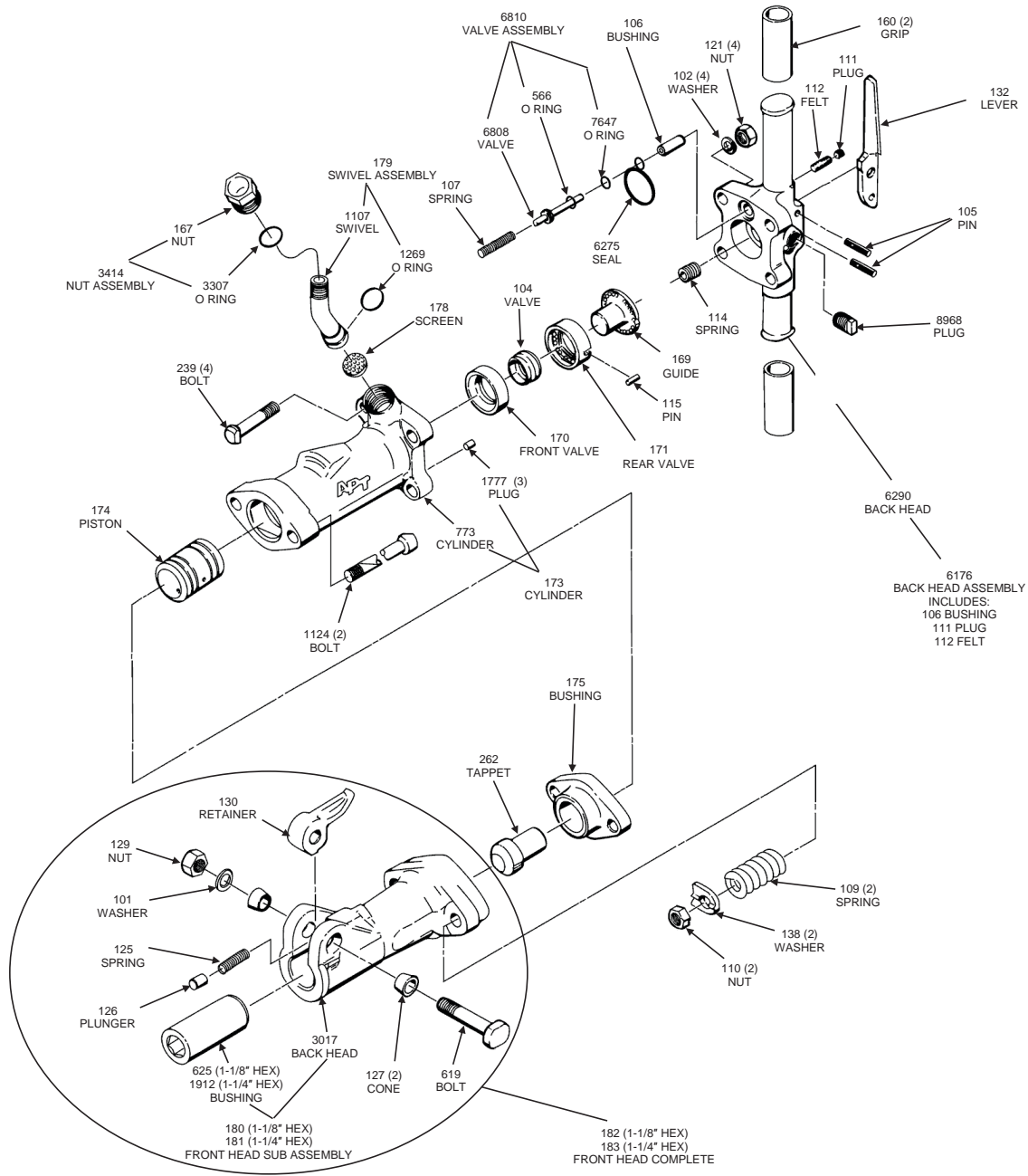


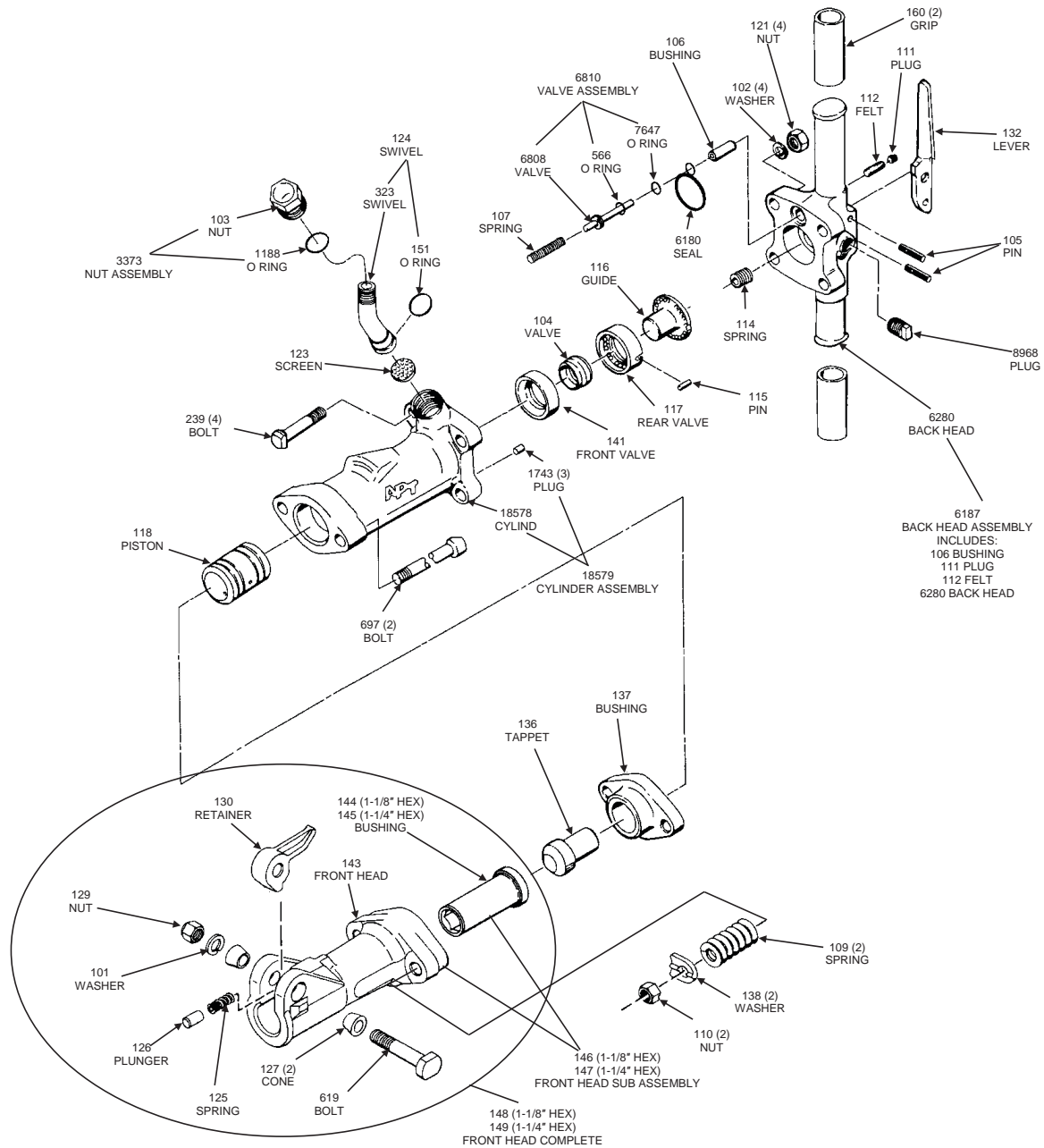


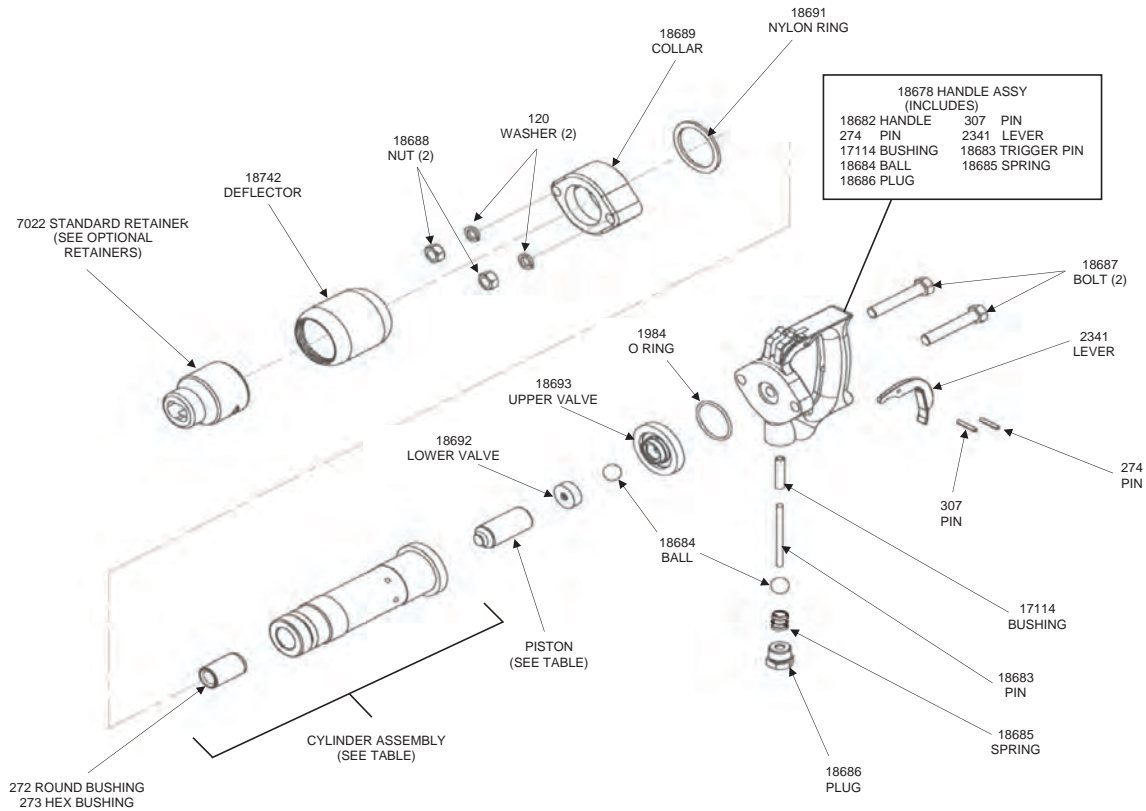






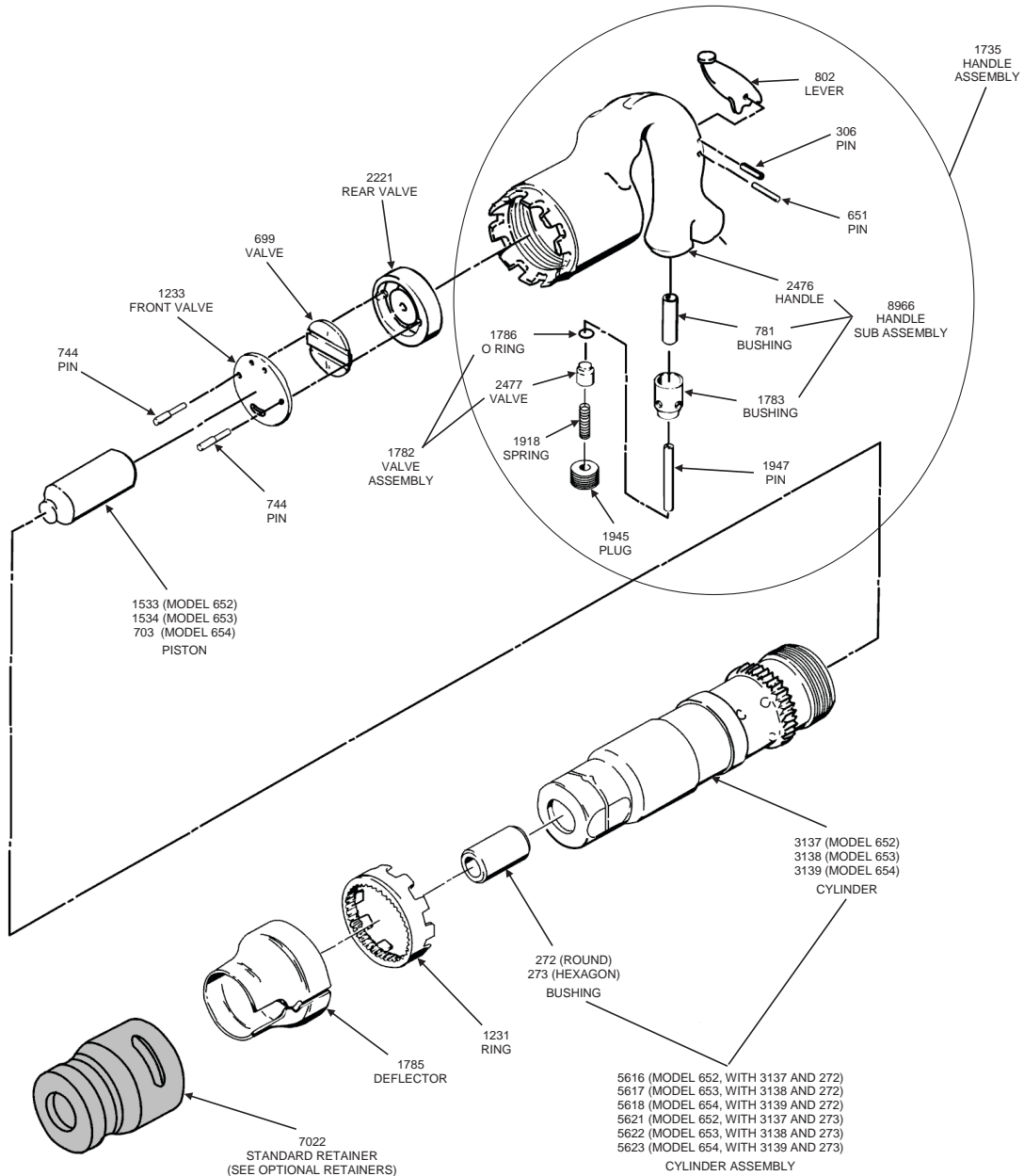


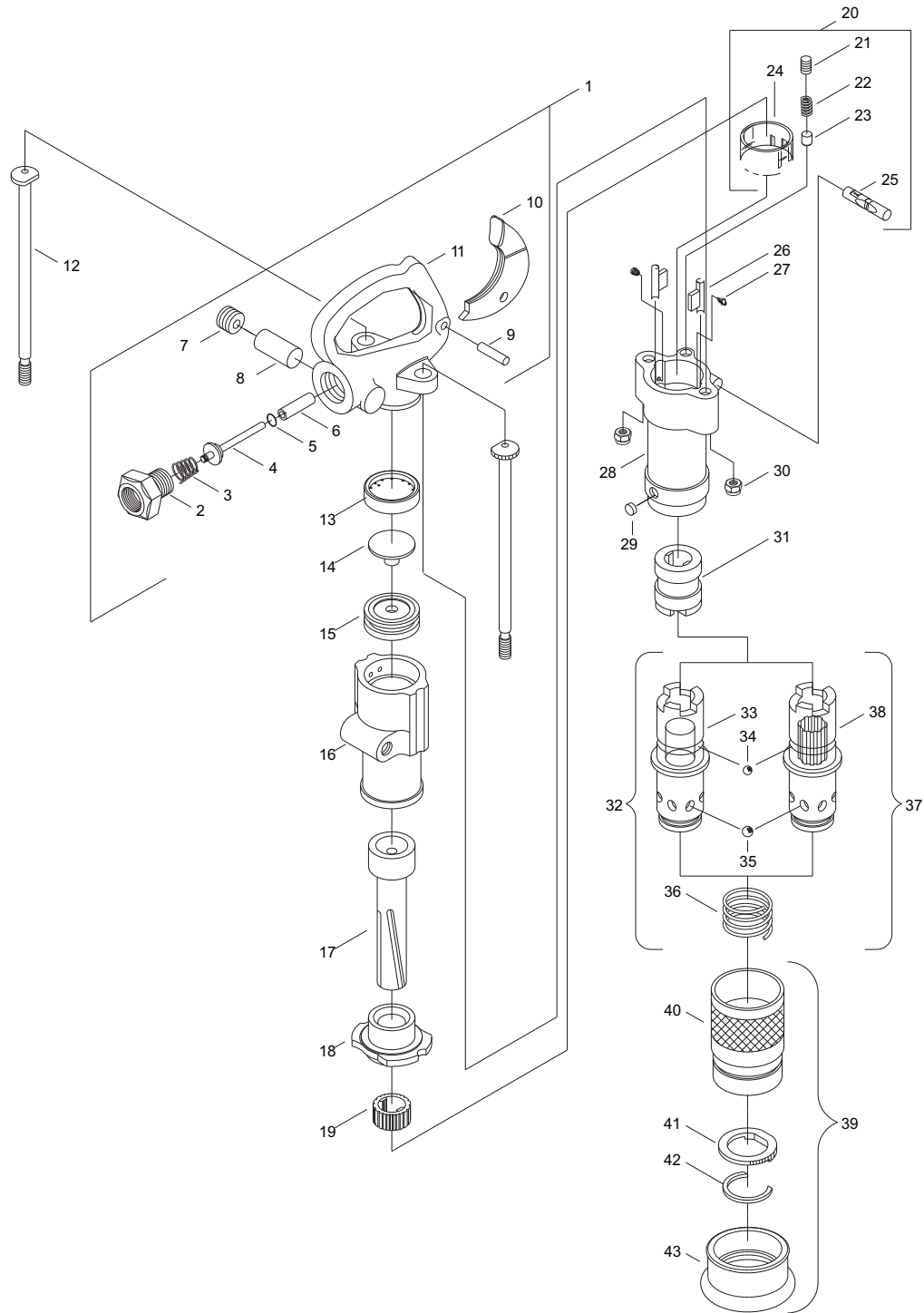




**2 BOLT CHIPPING HAMMER**

MODEL	CYLINDER ASSEMBLY	PISTON
M263, 3" STROKE, ROUND BUSHING	18673	1534
M263, 3" STROKE, HEX BUSHING	18676	1534
M264, 4" STROKE, ROUND BUSHING	18674	703
M264, 4" STROKE, HEX BUSHING	18677	703





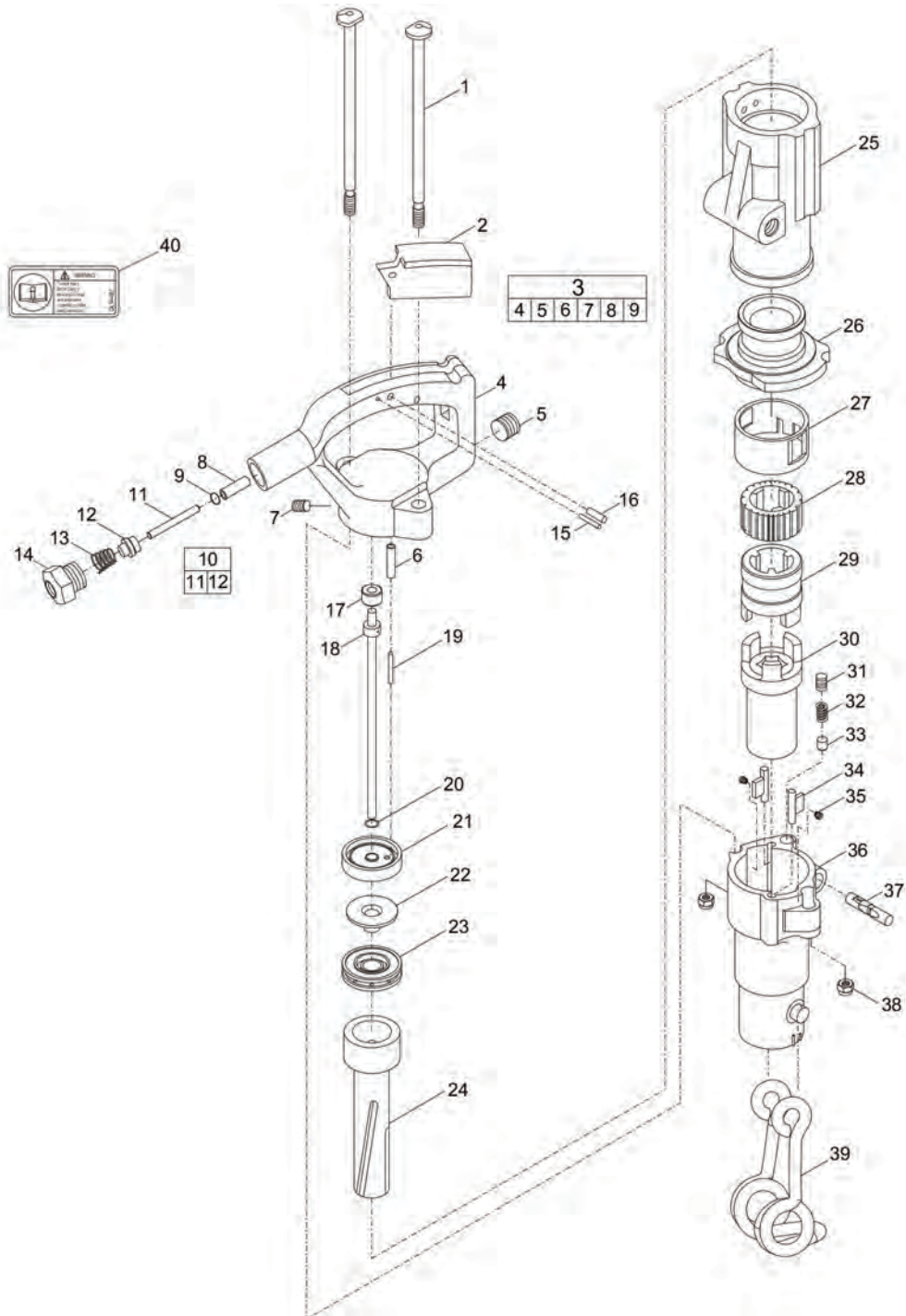


## CP-9 Parts

INDEX	PART NO.	DESCRIPTION	QTY.
1	R278018	Handle complete (Includes item Nos.2, 3, 4, 7, 8, 9, 10 & 11)	1
2	R085893	Bushing - Air inlet 3/8" NPTF (conical head)	1
3	R085596	Spring - Throttle valve	1
4	R086329	Valve - Throttle	1
5	R086098	Seat - Throttle Valve	1
6	R085599	Bushing - Throttle Valve	1
7	C077941	Plug - Pipe (3/8")	1
8	R085895	Felt - Oil chamber	1
9	A043627	Pin - Throttle lever	1
10	F027853	Lever - Throttle	1
11		Handle (Includes item No. 5 & 6)	1
12	F034249	Bolt - Thru	2
13	R085896	Rear valve seat	1
14	R085897	Valve	1
15	R085898	Front valve seat	1
16	R085886	Cylinder	1
17	F816122	Piston	1
18	R051356	Cylinder bushing	1
19	F816123	Ratchet ring	1
20	Z8294412	Rotation release set (Includes item No.21, 22, 23, 24 & 25)	1
21		Plug - Pipe (1/16 NPTF)	1
22		Spring - Plunger	1
23		Plunger - Shifter detent	1
24		Sleeve - Shifter	1
25		Plunger - Shifter	1
26	R051355	Pawl	2
27	R085890	Spring - Pawl	2
28	F816120	Fronthead	1
29	F061888	Plug - Ball retainer	1
30	S013073	Nut - Thru bolt	2
31	R085900	Chuck Sleeve	1
32	Z8366412	Round chuck complete (Includes item No.33,34,35 & 36)	1
33		Chuck (CP 9A)	1
34		Chuck retainer ball (Only available as set Z8767412 incl.17 balls)	17
35		Ball - Steel (5/16" Dia) (only available as set Z8768412 incl. 8 balls)	8
36	R086605	Spring - Sleeve retainer	1
37	Z8369412	Spline chuck complete (Includes item No.38,34,35 & 36 )	1
38		Chuck - Spline (CP 9F)	1
39	Z8375412	Retainer sleeve (Includes item No. 40, 41, 42 & 43)	1
40		Retainer	1
41	F826683	Retainer plate	1
42	F826893	Retainer ring	1
43	F815343	Dust excluder	1

### CONNECTICUT

### MASSACHUSETTS



## CP-14RR Parts

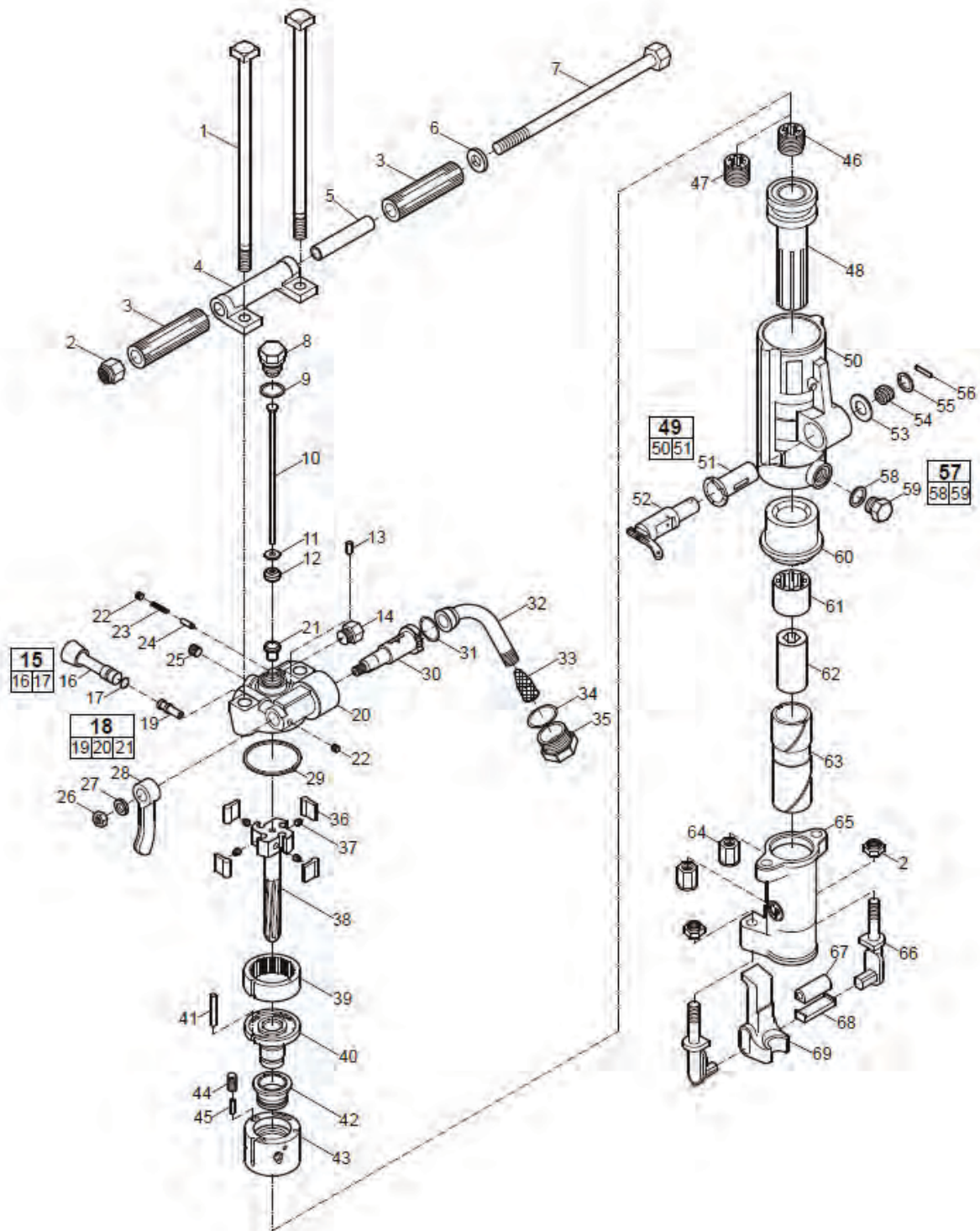
INDEX	PART NO.	DESCRIPTION	QTY.
1	3310102492	Service Kit - CP 0014 RRBS	1
2	R086098	Seat - throttle valve	1
3	R086329	Valve - throttle	1
4	R085596	Spring - throttle valve	1
5	R085934	Rubber tube	1
6	C069083	O-ring	1
7	R085588	Pawl	2
8	R086654	Spring - Pawl	2
9	F064696	Gasket	1
10	P070438	Nut - Thru bolt	2
11	F061564	Bolt - Thru	2
12	F064534	Lever - Throttle	1
13	C077941	Plug Pipe	1
14	R085580	Tube - Oil regulating	1
15	C068799	Plug - Pipe	1
16	R085599	Bushing - throttle valve	1
17	R085595	Air inlet bushing	1
18	R079223	Tube - Air	1
19	R085582	Plunger - Oil regulating	1
20	R085935	Seat	1
21	R085591	Valve	1
22	R085592	Seat - Front valve	1
23	R000120	Piston	1
24	R041684	Bushing - Cylinder	1
25	R051350	Sleeve - Shifter	1
26	R093154	Ring - Ratchet	1
27	R085601	Sleeve - Chuck	1
28	R085600	Chuck, 7/8" x 31/4" shank	1
29	C068064	Plug - Pipe	1
30	R051349	Plunger - Detent	1
31	R051348	Plunger - Shifter	1
32	R050584	Retainer wire	1
33	F826645	Bushing Air Inlet	1
34	F827380	Hose tail	1
35	H082555	Pin - Throttle lever stop	1
36	A043627	Pin - Trigger	1
37	R051353	Spring - plunger	1

### CONNECTICUT

410 Burnham St  
South Windsor, CT 06074  
860-289-2020

### MASSACHUSETTS

120 Interstate Dr  
W. Springfield, MA 01089  
413-363-0780

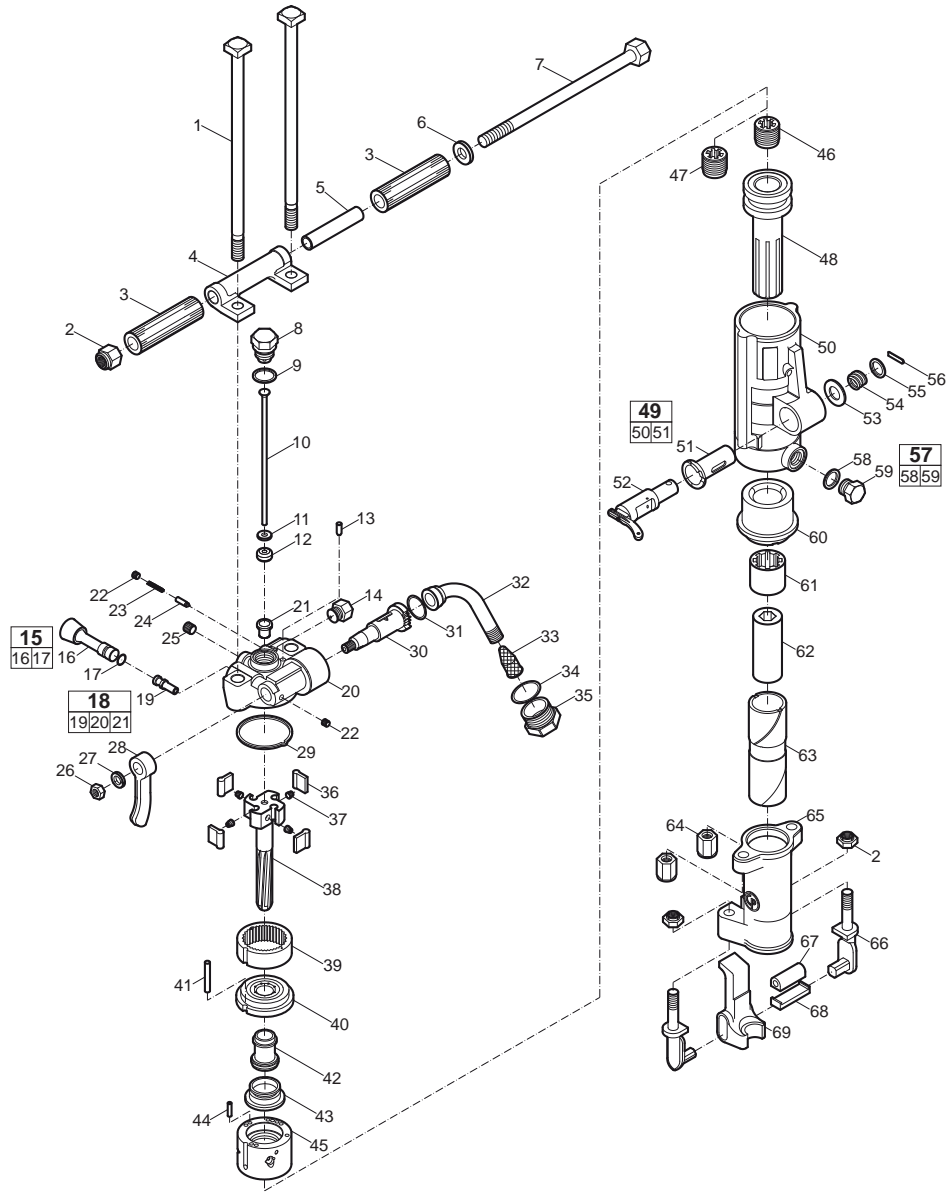


## CP-32A Parts

INDEX	PART NO.	DESCRIPTION	QTY.
1	R086623	Bolt - Thru	2
2	R005742	Nut - Elastic stop	3
3	R075419	Grip - Handle	2
4	R086608	Bracket - Handle	1
5	R076172	Liner - Handle	1
6	R000142	Washer - Handle bolt key	1
7	R076173	Bolt - Handle	1
8	R076793	Plug - Air tube	1
9	R000537	Gasket - Tube plug	2
10	R077184	Tube - Air	1
11	R075449	Washer - Air tube	1
12	R075099	Rubber - Air tube	1
13	R075802	Pin - Valve plunger	1
14	R076372	Plug - Water valve	1
18	R087948	Backhead, complete	1
20	--	Backhead	1
21	R137738	Bushing - Blow tube	1
23	R085671	Spring - Valve plunger	1
24	R086627	Plunger - Throttle valve	1
25	C068799	Plug - pipe, Ø 1/4 in., Ø 6.5 mm	1
26	P002149	Nut - Hexagon	1
27	C036717	Lockwasher - Head latch	1
28	R079124	Handle - Throttle valve	1
29	H0979432	Gasket	1
30	R086628	Valve - Throttle	1
31	P103521	O-ring	1
32	R075265	Swivel - Air inlet	1
33	R005584	Screen - Air inlet	1
34	R110317	O-ring	1
35	R000530	Air swivel nut	1
36	R075267	Pawl	4
37	R086654	Spring - Pawl	4
38	R086622	Bar - Rifle	1
39	R076194	Ring - Ratchet	1
40	R098085	Bushing - Valve guide	1
41	R075772	Pin - Valve case dowel	1
42	R076263	Valve	1
43	R076264	Case - Valve	1
44	R098084	Plug - Oil regulating	1
45	R085625	Stem - Oil regulating	1
46	R075839	Nut - Rifle bar	1
47	R075826	Nut - Rifle bar	1
48	R000088	Piston	1
49	R087990	Cylinder, complete	1
50	--	Cylinder	1
51	R086611	Bushing - Blower valve	1

## CP-32A Parts

INDEX	PART NO.	DESCRIPTION	QTY.
52	R086612	Valve - Blower	1
53	R075777	Washer - Blower valve	1
54	R075778	Spring - Blower valve	1
55	R075780	Washer - Valve spring	1
56	R076266	Pin - Spring	1
57	R085611	Oil plug, complete	1
58	R091176	Gasket - Oil plug	1
59	--	Oil plug	1
60	R042161	Bushing - Cylinder	1
61	R086733	Nut - Chuck rotation	1
62	R099374	Chuck, 7/8" x 31/4" (22 x 82.5 mm)	1
63	R041321	Sleeve - Chuck, 7/8" x 31/4" (22 x 82.5 mm)	1
64	R085756	Nut - Thru bolt	2
65	R041320	Fronthead, 7/8" x 31/4" (22 x 82.5 mm)	1
66	R093896	Tunnion - Retainer	2
67	R093897	Buffer - Retainer	1
68	R093898	Retainer - Latch shoe	1
69	R093913	Retainer, 7/8" (22 mm)	1



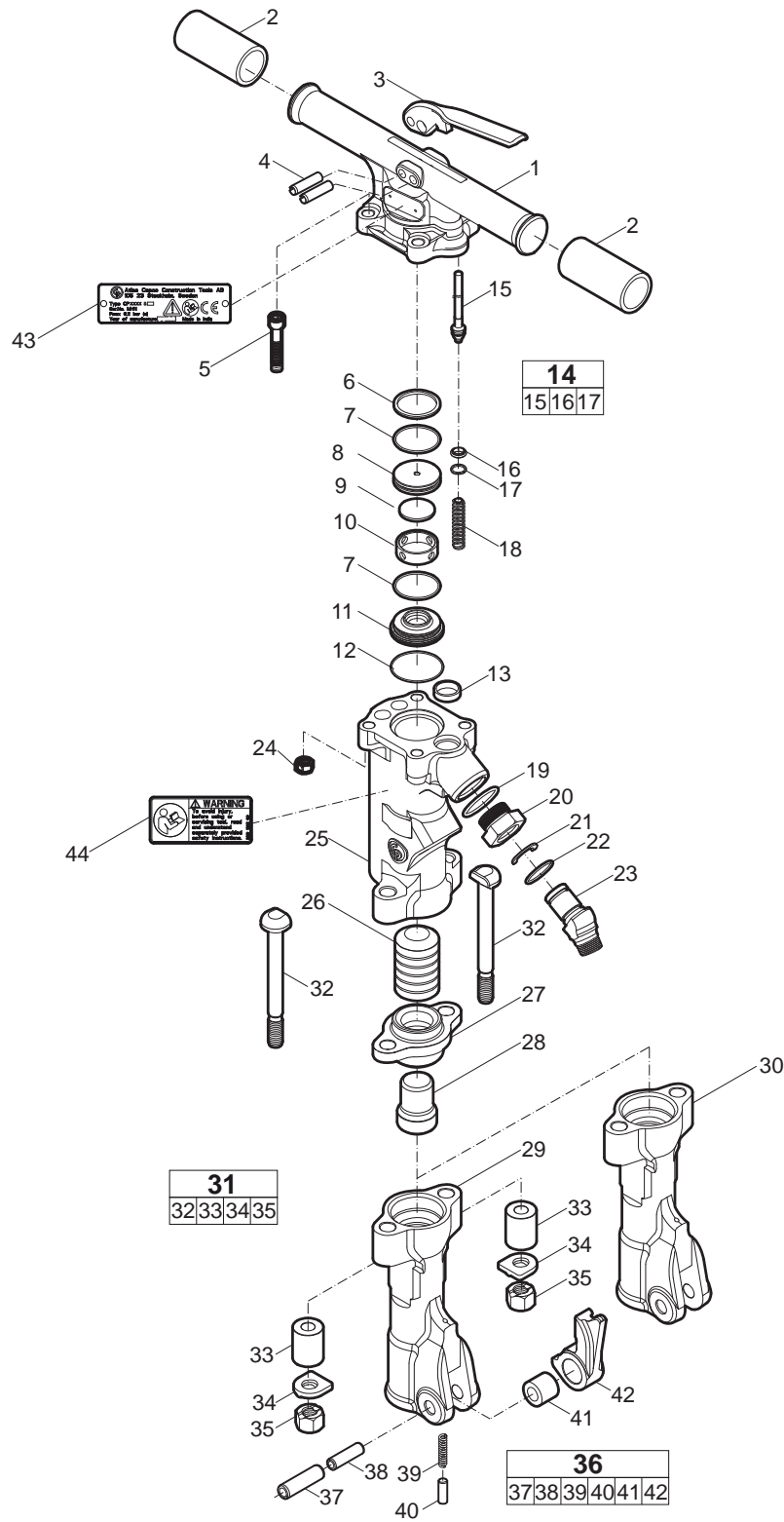
## CP-69 Parts

INDEX	PART NO.	DESCRIPTION	QTY.
1	R085755	Bolt - Thru	2
2	R005742	Nut - Elastic stop	3
3	R075419	Grip - Handle	2
4	R086608	Bracket - Handle	1
5	R076172	Liner - Handle	1
6	R000142	Washer - Handle bolt key	1
7	R076173	Bolt - Handle	1
8	R076793	Plug - Air tube	1
9	R000537	Gasket - Tube plug	2
10	R093907	Tube - Air	1
11	R095169	Washer - Air tube	1
12	R090364	Rubber - Air tube	1
13	R075802	Pin - Valve plunger	1
14	R076372	Plug - Water valve	1
15(16-17)	R079130	Water valve port plug, complete	1
16	-	Water valve port plug	1
17	C079489	O-ring	1
18(19-21)	R137744	Backhead, complete	1
19	R098054	Bushing - Water valve	1
20	-	Backhead	1
21	R137739	Bushing - Blow tube	1
22	C068064	Plug - Pipe	2
23	R085671	Spring - Valve plunger	1
24	R086627	Plunger - Throttle valve	1
25	C068799	Plug - Pipe	1
26	P002149	Nut - Hexagon	1
27	C036717	Lock washer - Valve handle	1
28	R079124	Handle - Throttle valve	1
29	H0980438	Gasket	1
30	R086628	Valve - Throttle	1
31	P103521	O-ring	1
32	R075265	Swivel - Air inlet	1
33	R005584	Screen - Air inlet	1
34	R110317	O-ring	1
35	R000530	Nut - Air inlet swivel	1
36	R075267	Pawl	4
37	R086654	Spring - Pawl	4
38	R093887	Bar - Rifle	1
39	R137740	Ring - Ratchet	1
40	R093490	Cover - Valve case	1
41	R137741	Pin - Dowel	1
42	R085608	Spacer - Valve case	1
43	R093900	Valve	1
44	R114133	Pin - Oiler	1
45	R085607	Case - Valve	1
46	R075839	Nut - Rifle bar	1
47	R075826	Nut - Rifle bar	1
48	R000126	Piston	1
49(50-51)	R137742	Cylinder, complete	1
50	-	Cylinder	1



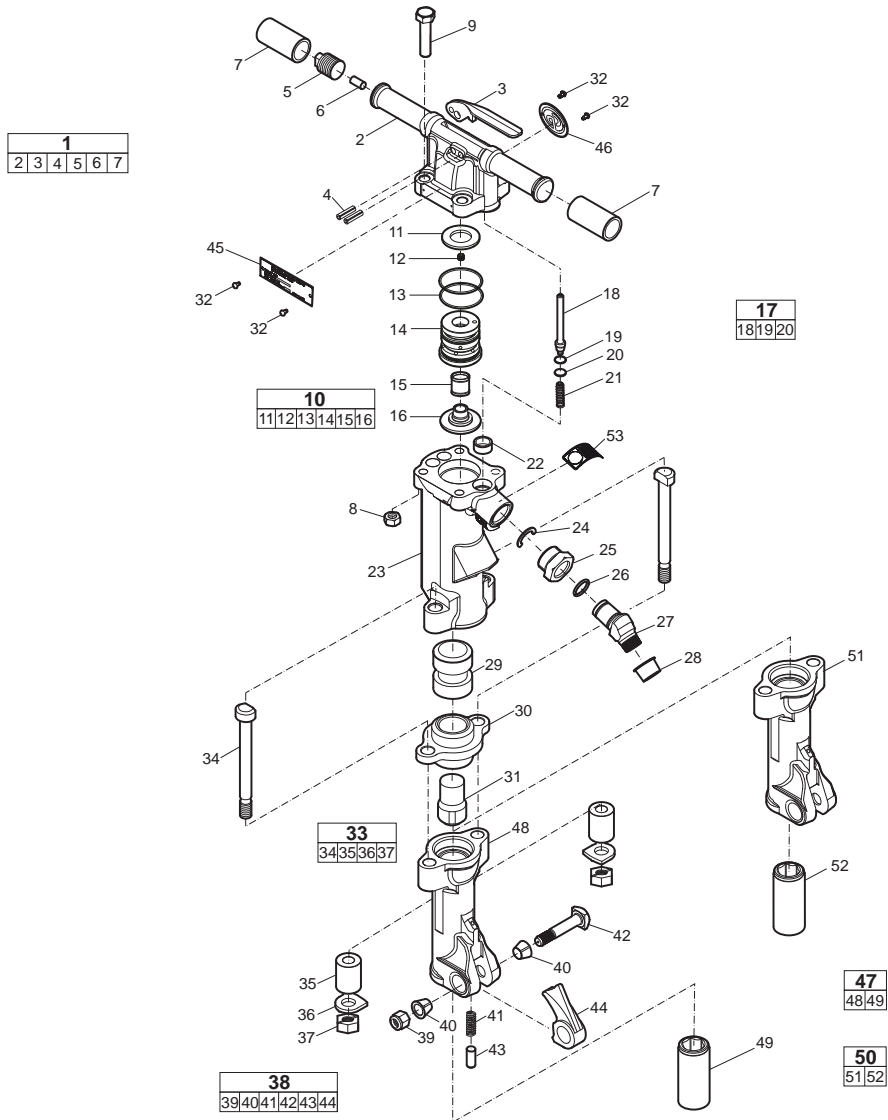
## CP-69 Parts

INDEX	PART NO.	DESCRIPTION	QTY.
51	R085624	Bushing - Blower valve	1
52	R085623	Valve - Blower	1
53	R075777	Washer - Blower valve	1
54	R075778	Spring - Blower valve	1
55	R075780	Washer - Valve spring	1
56	R076266	Pin - Spring	1
57(58-59)	R085611	Oil plug, complete	1
58	R091176	Gasket - Oil plug	1
59	-	Oil plug	1
60	R137743	Bushing - Cylinder	1
61	R086733	Nut - Chuck rotation	1
62	R093891	Chuck	1
63	R041324	Sleeve - Chuck	1
64	R085756	Nut - Thru bolt	2
65	R041323	Fronthead	1
66	R093896	Tunnion - Retainer	2
67	R093897	Buffer - Retainer	1
68	R093898	Retainer - Latch shoe	1
69	R093913	Retainer	1



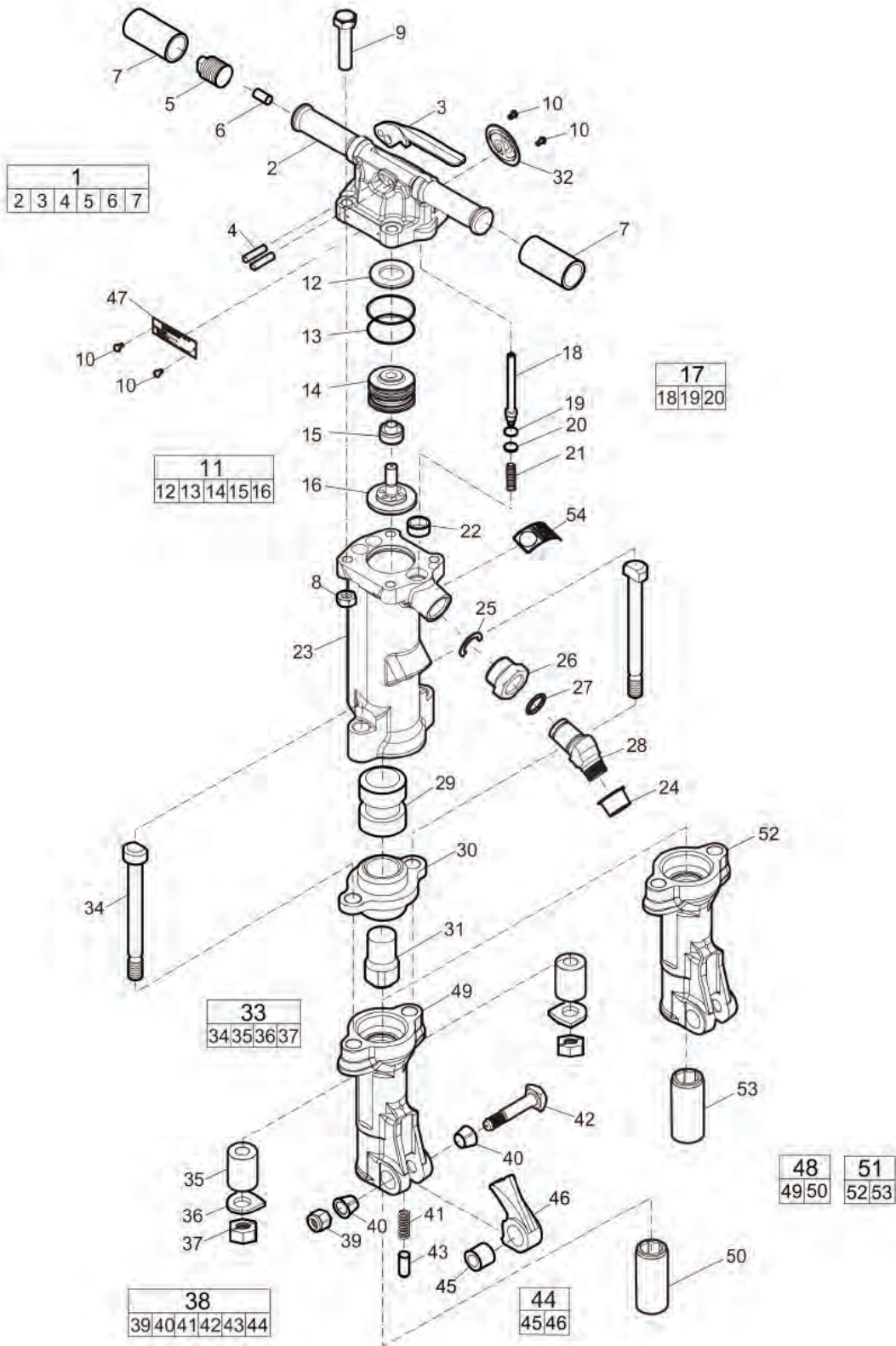
## CP-1210 Parts

INDEX	PART NO.	DESCRIPTION	QTY.
1	3303 0050 00	Backhead	1
2	F816345	Rubber grip	2
3	F814725	Trigger (start and stop device)	1
4	R133433	Roll pin	2
5	0211 1407 00	Socket head cap screw	4
6	3303 0050 31	Gasket	1
7	C102642	O-ring	2
8	R138096	Upper valve lid	1
9	R138094	Valve	1
10	R138095	Valve case	1
11	3303 0050 24	Lower valve case lid	1
12	H0310447	O-ring	1
13	R110215	Seal - cylinder	1
14(15-17)	R092894	Throttle valve, complete	1
15	-	Throttle valve	1
16	R098368	Seal - throttle valve	1
17	R098369	Ring - valve seal retaining	1
18	R005717	Spring - throttle valve	1
19	R056605	O-ring	1
20	3303 0050 13	Nut - air inlet swivel	1
21	3310 1059 00	Lock washer - swivel	1
22	0663 2126 00	O-ring - swivel	1
23	3303 0050 12	Swivel - air inlet	1
24	3303 0050 30	Nut	4
25	3303 0050 29	Cylinder	1
26	R110212	Piston	1
27	R110203	Bushing - anvil block	1
28	R085427	Block - anvil	1
29	F814719	Fronthead	1
30	F815478	Fronthead	1
31(32-35)	3303 0050 44	Side bolt, complete	1
32	R110217	Bolt - fronthead	2
33	R093698	Spring - steel	2
34	R041073	Lock - fronthead nut	2
35	R110218	Nut - fronthead bolt	2
36(37-42)	3303 0050 43	Latch, complete	1
37	0108 1103 04	Roll pin	1
38	0108 1395 00	Roll pin	1
39	R086982	Spring - plunger	1
40	R092497	Plunger - latch	1
41	R048540	Retainer latch bush	1
42	R092493	Retainer - latch	1
43	-	Data plate	1
44	3310 1602 00	Safety label	1



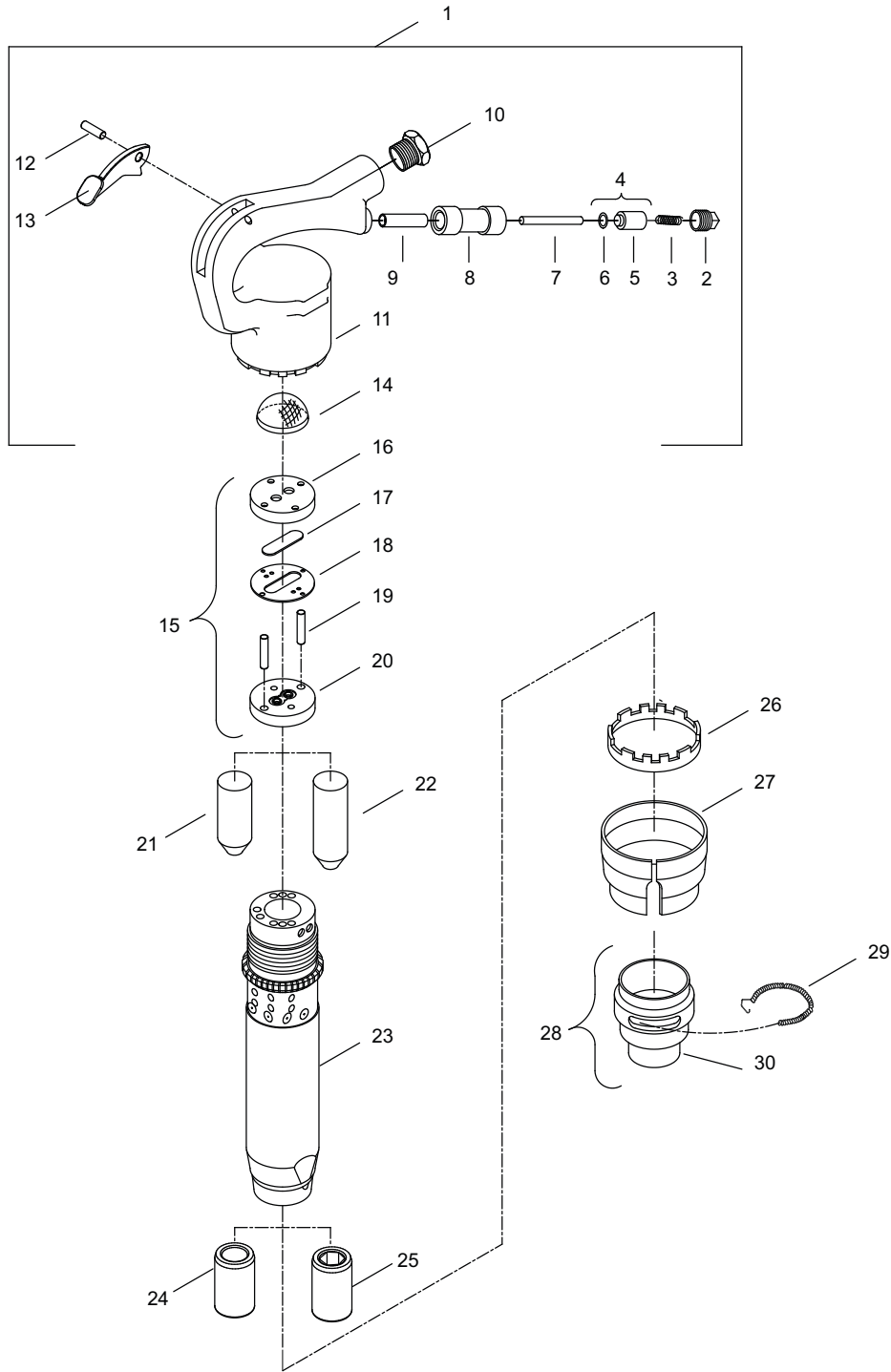
## CP-1260 Parts

INDEX	PART NO.	DESCRIPTION	QTY.
1(2-7)	3303 0053 83	Backhead, complete	1
2	-	Backhead	1
3	F814 725	Trigger	1
4	R133 433	Spring pin	2
5	R075 031	Plug - oil	1
6	C036 901	Oil wick	1
7	3303 0052 76	Rubber grip	2
8	0261 1099 53	Nut	4
9	0147 1959 60	Screw	4
10(11-16)	3303 0053 84	Valve case, complete	1
11	3303 0053 11	Washer	1
12	P009 876	Plug - valve case	1
13	R049 854	O-ring	2
14	R047 958	Valve case	1
15	3303 0053 27	Valve	1
16	R047 960	Lid - valve case	1
17(18-20)	R092 894	Valve - throttle, complete	1
18	-	Valve - throttle	1
19	R098 368	Seal - throttle valve	1
20	R098 369	Retaining ring - throttle valve	1
21	R005 717	Spring - throttle valve	1
22	R047 965	Seal - cylinder	1
23	3303 0052 71	Cylinder	1
24	3310 1059 00	Lock washer	1
25	3310 1044 00	Swivel nut	1
26	0663 2126 00	O-ring	1
27	3303 0050 12	Swivel	1
28	-	Plug	1
29	R047 967	Piston	1
30	R047 966	Bushing - anvil block	1
31	R085 260	Block - anvil	1
32	P081 333	Drive screw	4
33(34-37)	3303 0053 85	Side bolt, complete	1
34	R047 970	Bolt - fronthead	2
35	3303 0053 12	Buffer	2
36	R090 584	Lock washer - fronthead bolt	2
37	R005 721	Nut - fronthead	2
38(39-44)	3303 0053 88	Latch, complete	1
39	P008 999	Nut	1
40	R076 562	Bushing - retainer latch	2
41	R086 982	Spring - plunger	1
42	R076 853	Bolt - latch	1
43	R092 497	Plunger - latch	1
44	3303 0053 65	Retainer - latch	1
45	-	Data plate	1
46	3303 0053 10	Product label	1
47(48-49)	3303 0053 91	Fronthead, complete	1
48	-	Fronthead	1
49	R040 635	Bushing - fronthead	1
50(51-52)	3303 0053 92	Fronthead, complete	1
51	-	Fronthead	1
52	R090 122	Bushing - fronthead	1
53	3310 1602 00	Label	1



## CP-1290 Parts

INDEX	PART NO.	DESCRIPTION	QTY.
1	3303005370	Backhead, complete	1
2	--	Backhead	1
3	F814725	Trigger (start and stop device)	1
4	R133433	Roll pin	2
5	R075031	Oil plug	1
6	C036901	Oil wick	1
7	3303005276	Rubber grip	2
8	261109953	Nut, M14	4
9	147195960	Screw, M14 x 60 mm 8.8	4
10	P081333	Drive screw	4
11	R122977	Valve case, complete	1
12	R085259	Washer	1
13	P083094	O-ring	2
14	R092904	Valve case	1
15	R122975	Valve	1
16	R122976	Guide - valve	1
17	R092894	Throttle valve, complete	1
18	--	Valve - throttle	1
19	R098368	Seal - throttle valve	1
20	R098369	Ring - valve seal retaining	1
21	R005717	Spring - throttle valve	1
22	R047965	Seal - cylinder	1
23	3303005285	Cylinder	1
24	-	Plug	1
25	3310105900	Lock washer - swivel	1
26	3310104400	Swivel nut	1
27	663212600	O-ring, Ø22.2 x 3 mm, 0.87 x 0.12 in.	1
28	3303005012	Swivel - air inlet	1
29	R000127	Piston	1
30	R092907	Bushing - anvil block	1
31	R096123	Block - anvil	1
32	3303005310	Product label	1
33	3303005374	Side bolt, complete	1
34	F037790	Bolt - fronthead	2
35	3303005313	Buffer	2
36	R096059	Lock washer - fronthead bolt	2
37	F037789	Nut - fronthead bolt	2
38	3303005055	Latch, complete	1
39	P008999	Nut	1
40	R076562	Bushing - retainer latch	2
41	R092911	Spring - plunger	1
42	R076853	Bolt - latch	1
43	R092910	Plunger - latch	1
44	R092909	Latch retainer, complete	1
45	R050894	Bushing	1
46	---	Latch - retainer	1
47	-	Data plate (not available separately)	1
48	R092918	Fronthead, complete	1
49	--	Fronthead, Hexagon, 32 mm, Hexagon, 11/4 in.	1
50	R040635	Bushing - fronthead, Hexagon, 32 mm, Hexagon, 11/4 in.	1
51	R092917	Fronthead, complete	1
52	--	Fronthead, Hexagon, 28 mm, Hexagon, 11/8 in.	1
53	R090122	Bushing - fronthead, Hexagon, 28 mm, Hexagon, 11/8 in.	1
54	3310160200	Safety label	1



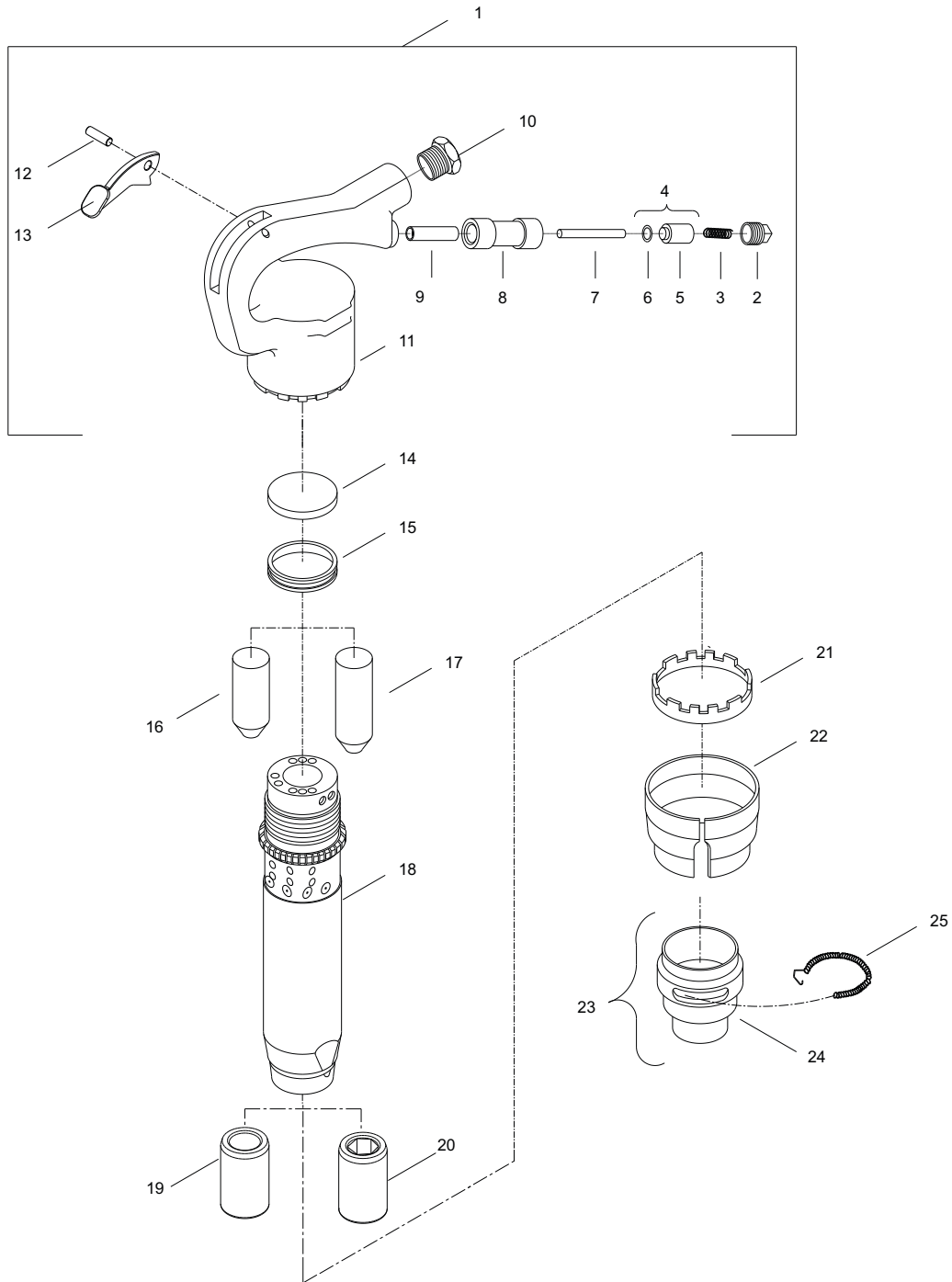


## CP-4123 Parts

INDEX	PART NO.	DESCRIPTION	QTY.
1	Z9983830	Handle assembly (Includes item No. 2, 3, 5, 6, 7, 8, 9, 10, 11, 12, 13 & 14)	1
2	P001873	Plug - Throttle valve	1
3	P001853	Spring - Throttle valve	1
4	P001768	Valve - Throttle complete (Includes item No. 5 & 6)	1
5		Valve - Throttle	1
6	P083071	O-ring	1
7	P070719	Pin - Throttle valve bush	1
8	P071318	Tube - Throttle valve	1
9	P070733	Bushing - Push pin	1
10	P009585	Bushing - Permanent	1
11		Handle	1
12	A043627	Pin - Throttle lever	1
13	P009818	Lever - Throttle	1
14	P092485	Screen	1
15	P077013	Valve case complete (Includes item No. 16, 17, 18, 19 & 20)	1
16	P071350	Lid - Upper valve case	1
17	P071358	Valve	1
18	P071352	Case - Valve	1
19	A041797	Pin - Dowel (7/32" x 7/8")	2
20	P071351	Lid - Lower valve case	1
21	P118662	Piston (for 2" or 3" stroke version)	1
22	P118678	Piston (for 4" stroke version)	1
23		Cylinder	1
24	P001550	Sleeve - Chisel (Round)	1
25	P001551	Sleeve - Chisel (Hex)	1
26	P128247	Collar - Lock	1
27	P071355	Shield - Lock	1
28	P107243	Sleeve - Retainer (Includes item No. 29 & 30)	1
29	P070994	Spring - Lock coil	1
30		Sleeve - Retainer	1

### CONNECTICUT

### MASSACHUSETTS

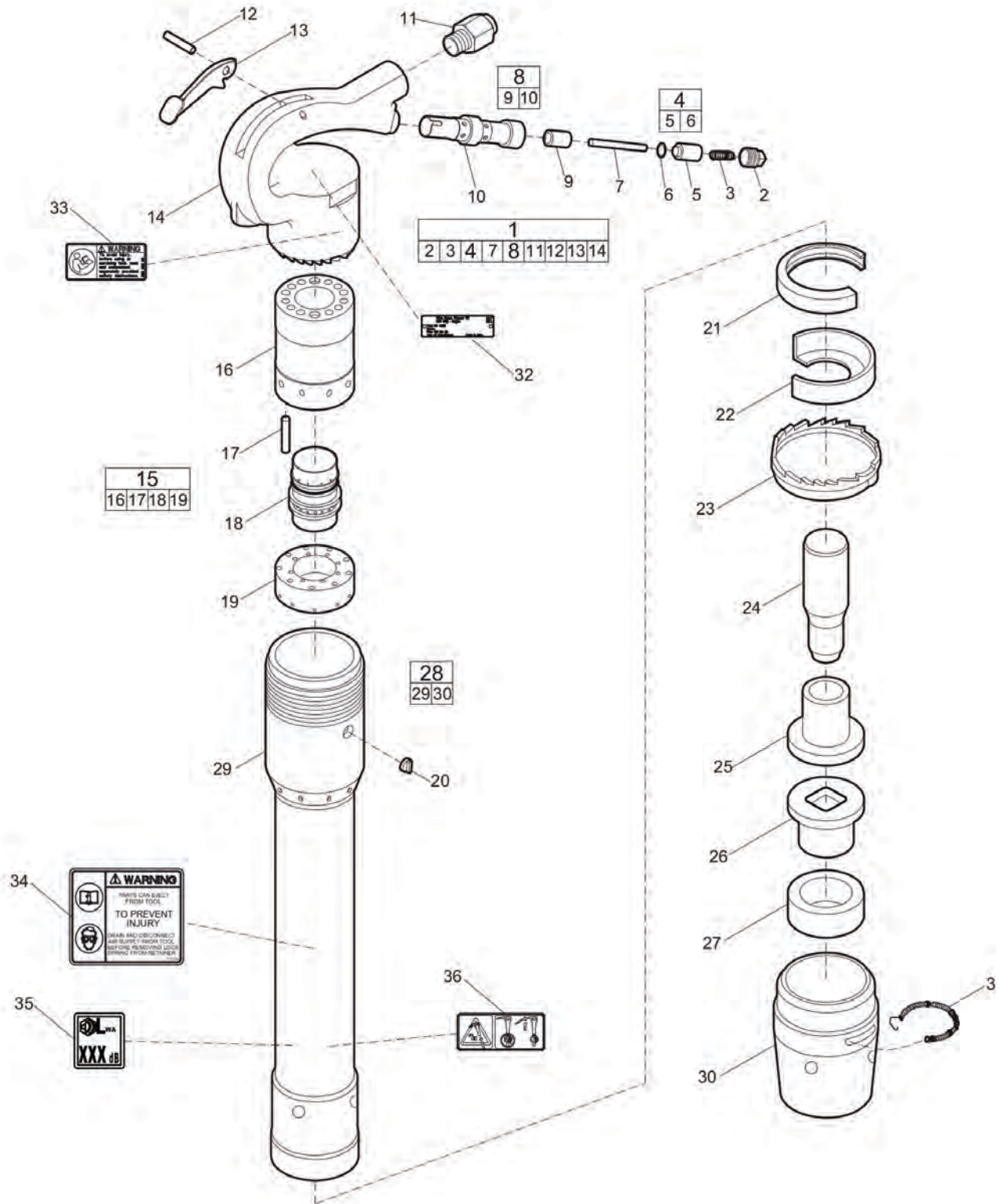


## CP-4125 Parts

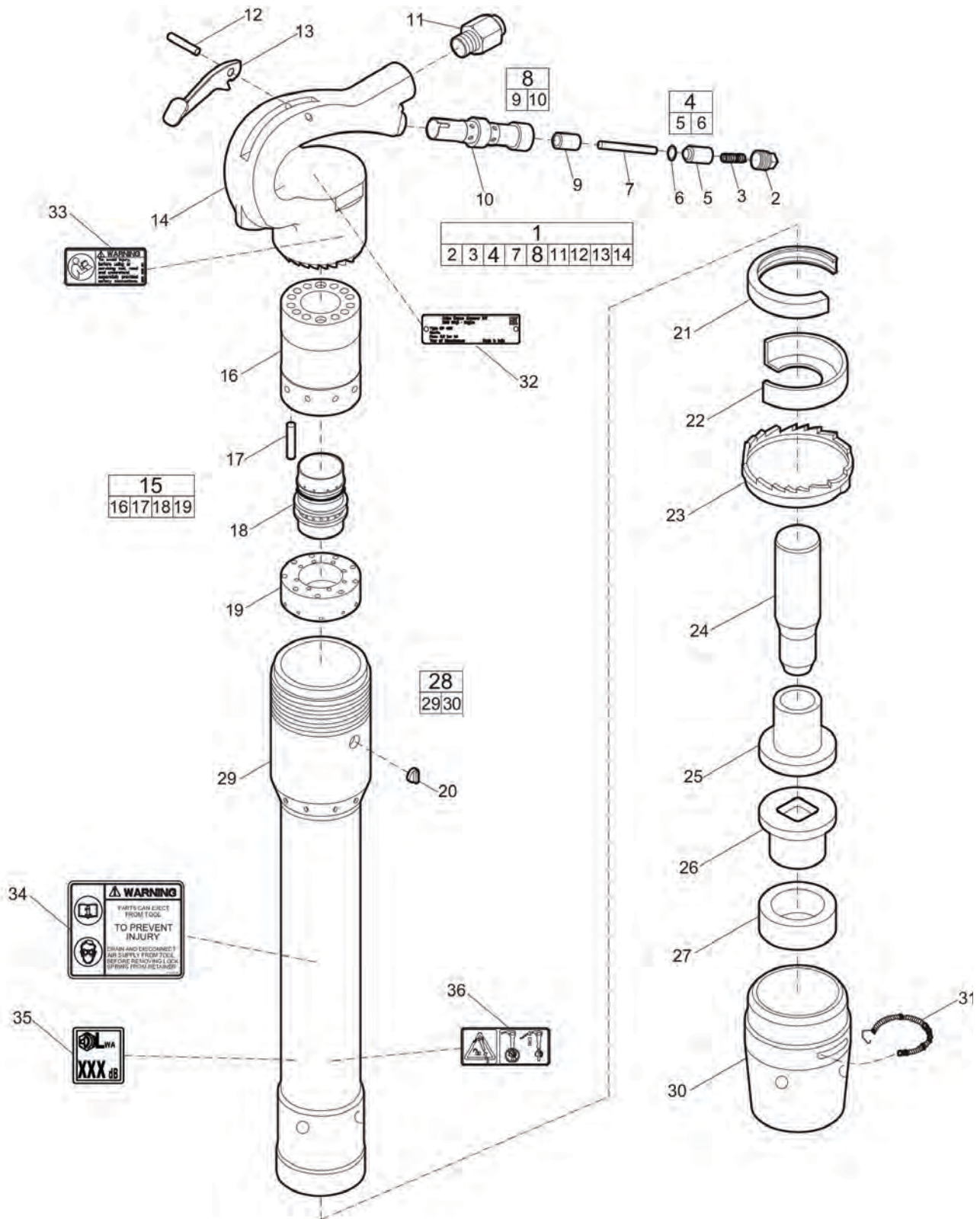
INDEX	PART NO.	DESCRIPTION	QTY.
1	P130242	Handle assembly (Includes item No. 2, 3, 5, 6, 7, 8, 9, 10, 11, 12 & 13)	1
2	P001873	Plug - Throttle valve	1
3	P001853	Spring - Throttle valve	1
4	P001768	Valve - Throttle complete (Includes item No. 5 & 6)	1
5		Valve - Throttle	1
6	P083071	O-ring (-011)	1
7	P070719	Pin - Throttle valve bush	1
8	P071318	Tube - Throttle valve	1
9	P070733	Bushing - Push pin	1
10	P009585	Bushing - Permanent	1
11		Handle	1
12	A043627	Pin - Throttle lever	1
13	P009818	Lever - Throttle	1
14	P009837	Lid (Ring valve)	1
15	P009836	Valve (Ring valve)	1
16	P118662	Piston (for 2" or 3" stroke version)	1
17	P118678	Piston (for 4" stroke version)	1
18		Cylinder	1
19	P001550	Sleeve - Chisel (Round)	1
20	P001551	Sleeve - Chisel (Hex)	1
21	P128247	Collar - Lock	1
22	P071355	Shield - Lock	1
23	P107243	Sleeve - Retainer (Includes item No. 24 & 25)	1
24		Sleeve - Retainer	1
25	P070994	Spring - Lock coil	1

### CONNECTICUT

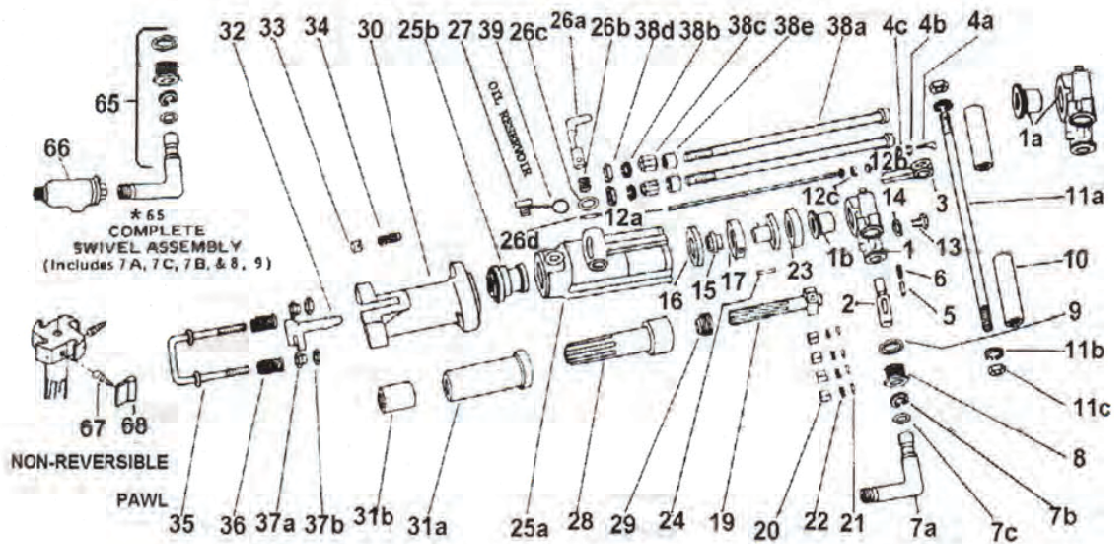
### MASSACHUSETTS



Item	Part No.	Name	Qty	L
1	P007164	Handle, complete	1	
2	P001873	Plug - Throttle valve	1	
3	P001853	Spring - Throttle valve	1	
4	P001799	Valve - Throttle, complete	1	
5	---	Valve - Throttle	1	
6	P083071	O-ring	1	
7	P004834	Pin - Push	1	A
8	P007325	Tube - Throttle, complete	1	
9	P004839	Bushing	1	
10	---	Tube - Throttle	1	
11	P001995	Bushing-airinlet	1	B
12	P001915	Pin - Lever	1	
13	P001982	Lever - Throttle	1	
14	--	Handle	1	
15	P007385	Valve, complete	1	
16	P006319	Case-valve	1	
17	3303005086	Dowel	1	
18	P001538	Valve	1	
19	P006320	Lid-valve case	1	
20	P001430	Key-lock sleeve	1	
21	P001355	Lock sleeve spring clip	1	C
22	P001389	Exhaust deflector	1	
23	P001399	Collar-lock	1	
24	3303005094	Piston	1	D
25	P156988	Sleeve upper	1	
26	P072333	Lower sleeve	1	
27	3303005103	Bumper	1	
28	3303005380	Cylinder, complete	1	
29	--	Cylinder	1	
30	3303005340	Retainer	1	
31	P073942	Spring-lock	1	
32	-	Data plate (Not availablr separately)	1	
33	3310160200	Safety Label	1	
34	P157290	Warning label	1	
35	-	Noise level label	1	



Item	Part No.	Name	Qty	L
1	P007164	Handle, complete	1	
2	P001873	Plug - Throttle valve	1	
3	P001853	Spring - Throttle valve	1	
4	P001799	Valve - Throttle, complete	1	
5	---	Valve - Throttle	1	
6	P083071	O-ring	1	
7	P004834	Pin - Push	1	A
8	P007325	Tube - Throttle, complete	1	
9	P004839	Bushing	1	
10	---	Tube - Throttle	1	
11	P001995	Bushing-airinlet	1	B
12	P001915	Pin - Lever	1	
13	P001982	Lever - Throttle	1	
14	--	Handle	1	
15	P007385	Valve, complete	1	
16	P006319	Case-valve	1	
17	3303005086	Dowel	1	
18	P001538	Valve	1	
19	P006320	Lid-valve case	1	
20	P001430	Key-lock sleeve	1	
21	P001355	Lock sleeve spring clip	1	C
22	P001389	Exhaust deflector	1	
23	P001399	Collar-lock	1	
24	3303005093	Piston - 11"	1	D
25	P156988	Sleeve upper	1	
26	P072333	Lower sleeve	1	
27	3303005103	Bumper	1	
28	3303005381	Cylinder, complete	1	
29	--	Cylinder	1	
30	3303005340	Retainer	1	
31	P073942	Spring-lock	1	
32	-	Data plate (Not available separately)	1	
33	3310160200	Safety Label	1	
34	P157290	Warning label	1	
35	-	Noise level label	1	



Item No.	Part No.	Description	Item no.	Part No.	Description
			25B	S55-1B	Eushing, Cylinder
1	S55-2F	Backhead w/bushing	26A	S55-1VC	Valve, Exhaust Control
1B	S55-2CD	Bushing	26B	S55-1S	Spring Exhaust Control
2	S55-12B	Valve-Throttle	26C	S55-1W	Washer, Exhaust Control
3	S55-12	Lever, Throttle Valve	26D	S55-1C	Pin, Exhaust Control
4A	S55-12C	Bolt Throttle Lever	27	H81-28	Plug, Oil Reservoir
4B	WP-14	Lockwasher, T.Lever Bolt	28	S55-9	Piston
4C	NJ-5	Nut, T.Lever Bolt	29	S55-25-35	Nut-Rifle Bar/Piston
5	7-2A	Plunger, T. Valve	30	S55-17A	Fronthead 7/8" x 3 1/4"
6	7-2ES	Spring, Detent Plunger	31A	S55-17LA	Fronthead 7/8" x 1" x 4 1/4"
7A	RB-183-47	Swivel-Air Inlet 3/4" NPTM	31B	S55-7	Driver-Chuck 7/8" x 3 1/4"
7B	S55-38	Retainer, Air Inlet		S55-7B	Driver-Chuck 7/8" x 4 1/4"
7C	OR-21	O Ring, Air Inlet Swivel		S55-7L-A	Bushing-Chuck 7/8" x 3 1/4"
8	S48-146G	Nut, Air Inlet Swivel		S55-7LL-B	Bushing-Chuck 7/8" x 4 1/4"
9	S48-146W	Washer, swivel nut		S55-7LL-F	Bushing-Chuck 1" x 4 1/4"
10	S55-34	Grip, Handle, Rubber	32	S55-36RA	Retainer
11A	S55-35	Bolt, Grip Handle	33	S55-36E	Pivot-Steel Retainer
11B	S55-34W	Washer, handle Bolt	34	S55-36SA	Spring-Steel Retainer pivot
11C	ESC-12	Nut, Handle Bolt	35	S55-36J	Yoke, Steel Retainer
12A	S55-27A	Tube, Dry	36	S73-36S	Spring-Yoke
12B	17-39A	Washer-Metal	37A	S55-36W/B	Nut-Yoke, Lower
12C	7-29B	Seal-Rubber	37B	NFC-6	Nut-Yoke, Upper
13	107-29	Gland, Backhead	38A	S55-3E	Rod-Side
14	WC-1	Washer-Gland	38B	D79-36W	Lockwasher, Side Rod
15	S55-16A	Valve, Automatic	38C	D79-3N	Nut-Side Rod, Long
16	S55-15A	Seat, Automatic Valve	38D	NJ-10	Nut-Side Rod, Short
17	S55-15BA	Chest, Automatic Valve	38E	D79-3S	Spacer-Side Rod
18	S55-15CA	Plug, Automatic Valve	39	67539	Chain Oil Plug
19	S55-26-35	Bar-Rifle	65	S48-147GX	Swivel Assembly
20	R91-11A	Pawl-Rotation Reversible	66	67045	Oilier-Constant Feed
21	7-11-B	Plunger-Pawl	67	S55-11C	Spring-Pawl-Flat Wire
22	7-11-C	Spring, Pawl Plunger	68	90-11A	Pawl-Rotation-Non-Reversible
23	S55-33	Ring, Ratchet			
24	S55-33P	Pin, Dowel, Ratchet Ring			
25A	S55-1	Cylinder, Bore			





## GD-S55 Parts

INDEX	PART NO.	DESCRIPTION
1	S55-2F	Backhead w/ Bushing
1B	S55-2CD	Bushing
2	S55-12B	Valve-Throttle
3	S55-12	Lever, Throttle Valve
4A	S55-12C	Bolt, Throttle Lever
4B	WP-14	Lockwasher, T. Lever Bolt
4C	NJ-5	Nut, T. Lever Bolt
5	7-2A	Plunger, T. Valve
6	7-2ES	Spring, Detent Plunger
7A	RB-183-47	Swivel-Air Inlet 3/4" NPTM
7B	S55-38	Retainer, Air Inlet
7C	OR-21	O-Ring, Air Inlet Swivel
8	S48-146G	Nut, Air Inlet Swivel
9	S48-146W	Washer, Swivel Nut
10	S55-34	Grip, Handle, Rubber
11A	S55-35	Bolt, Grip Handle
11B	S55-34W	Washer, Handle Bolt
11C	ESC-12	Nut, Handle Bolt
12A	S55-27A	Tube, Dry
12B	17-39A	Washer-Metal
12C	7-29B	Seal-Rubber
13	107-29	Gland, Backhead
14	WC-1	Washer - Gland
15	S55-16A	Valve, Automatic
16	S55-15A	Seat, Automatic Valve
17	S55-15BA	Chest, Automatic Valve
18	S55-15CA	Plug, Automatic Valve
19	S55-26-35	Bar-Rifle
20	R91-11A	Pawl-Rotation Reversible
21	7-11-B	Plunger-Pawl
22	7-11-C	Spring, Pawl Plunger
23	S55-33	Ring, Ratchet
24	S55-33P	Pin, Dowel, Ratchet Ring
25A	S55-1	Cylinder, Bare
25B	S55-1B	Bushing, Cylinder
26A	S55-1VC	Valve, Exhaust Control
26B	S55-1S	Spring, Exhaust Control
26C	S55-1W	Washer, Exhaust Control
26D	S55-1C	Pin, Exhaust Control
27	H81-28	Plug, Oil Reservoir
28	S55-9	Piston
29	S55-25-35	Nut-Rifle Bar/Piston
30	S55-17A	Fronthead 7/8" x 3 1/4"
	S55-17LA	Fronthead 7/8" & 1" x 4 1/4"
31A	S55-7	Driver-Chuck 7/8" x 3 1/4"
	S55-7B	Driver-Chuck 7/8" x 4 1/4"
31B	S55-7L-A	Bushing-Chuck 7/8" x 3 1/4"
	S55-7LL-B	Bushing-Chuck 7/8" x 4 1/4"
	S55-7LL-F	Bushing-Chuck 1" x 4 1/4"
32	S55-36RA	Retainer
33	S55-36E	Pivot, Steel Retainer
34	S55-36SA	Spring-Steel Retainer Pivot



## GD-S55 Parts

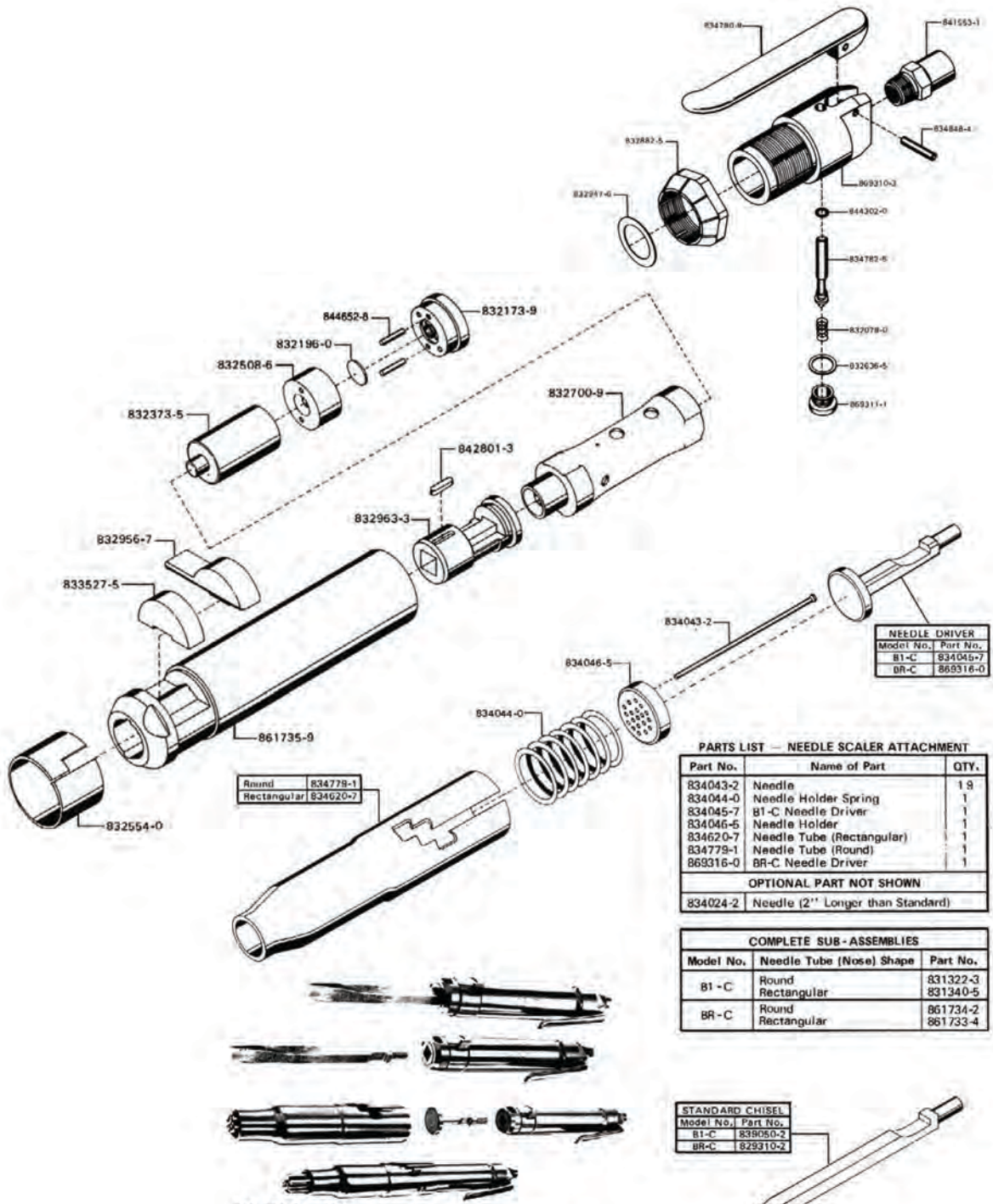
INDEX	PART NO.	DESCRIPTION
35	S55-36J	Yoke, Steel Retainer
36	S73-36S	Spring-Yoke
37A	S55-36WB	Nut-Yoke, Lower
37B	NFC-6	Nut-Yoke, Upper
38A	S55-3E	Rod-Side
38B	D79-36W	Lockwasher, Side Rod
38C	D79-3N	Nut-Side Rod, Long
38D	NJ-10	Nut-Side Rod, Short
38E	D79-35	Scacer-Side Rod
39	67539	Chain Oil Plug
65	S48-147GX	Swivel Assembly
66	67045	Oiler-Constant Feed
67	S55-11C	Spring-Pawl-Flat Wire
68	90-11A	Pawl Rotation Non Reversible

### CONNECTICUT

 410 Burnham St  
South Windsor, CT 06074  
 860-289-2020

### MASSACHUSETTS

 120 Interstate Dr  
W. Springfield, MA 01089  
 413-363-0780



Round	834779-1
Rectangular	834620-7

NEEDLE DRIVER	
Model No.	Part No.
B1-C	834045-7
BR-C	869316-0

**PARTS LIST — NEEDLE SCALER ATTACHMENT**

Part No.	Name of Part	QTY.
834043-2	Needle	1 9
834044-0	Needle Holder Spring	1
834045-7	B1-C Needle Driver	1
834046-5	Needle Holder	1
834620-7	Needle Tube (Rectangular)	1
834779-1	Needle Tube (Round)	1
869316-0	BR-C Needle Driver	1
OPTIONAL PART NOT SHOWN		
834024-2	Needle (2" Longer than Standard)	

**COMPLETE SUB-ASSEMBLIES**

Model No.	Needle Tube (Nose) Shape	Part No.
B1 - C	Round	831322-3
	Rectangular	831340-5
BR - C	Round	861734-2
	Rectangular	861733-4

**STANDARD CHISEL**

Model No.	Part No.
B1-C	839050-2
BR-C	829310-2

**TWO TOOLS IN ONE**

To convert the Needle Scaler, all you do is remove the needle holder sleeve and replace the needle driver with the scaling chisel. No tools are necessary to remove or adjust the sleeve.

The "J" slot retainer has three positions, spaced 7/16" apart. As the needles wear or greater extension is desired, the needle housing can be telescoped back over the scaler barrel up to 7/8" additional needle extension. Needles that are 2" longer than standard are also available.